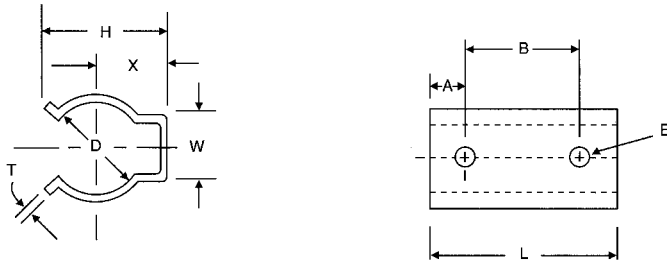
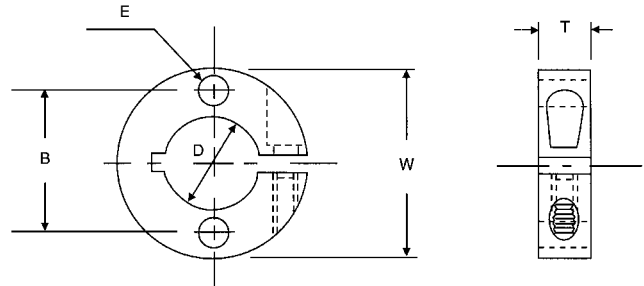


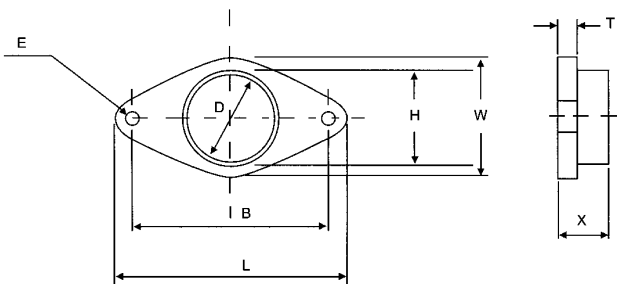
MOUNTING CLIP (MC) (Material: Spring Steel)



MOUNTING RING (MR) (Material: Aluminum)



MOUNTING FLANGE (MF) (Material: Polyethylene)



P/N	A	B	D	E	H	L	T	W	X
MC-075	.187	.375	.750	.130	.800	.750	.020	.420	.440
MC-100	.187	.375	1.000	.144	1.133	.750	.032	.510	.683
MF-075	1.250	.750	.125	.810	1.687	.110	1.000	.320	
MF-100	1.625	1.000	.125	1.060	2.125	.125	1.312	.340	
MR-075	1.125	.750	.196				.500	1.500	
MR-100	1.375	1.000	.196				.500	1.750	
MR-150	1.875	1.500	.196				.565	2.250	

Note: All dimensions are in inches and are reference only.

BOTTOM MOUNTING (add "M" to the end of P/N)

ISOLATION VALVE MOUNTING DIMENSIONS

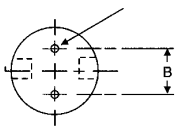
Series	"A" Thread	"B" Center
075T2	#4 **	.500
075T3	#4-40	.687
100T2	#4 **	.687
100T3	#4-40	.687

PINCH VALVE MOUNTING DIMENSIONS

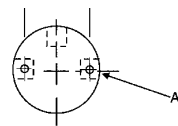
Series	"A" Thread	"B" Center	"C"
075P2*	#2-56	.500	.125
100P2*	#4-40	.687	.218
150P2*	#6-32	1.000	.375

*For P3 Series consult factory.

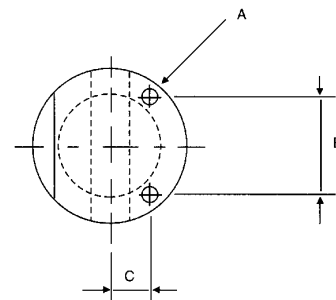
** Teflon® Body: .093 x .300 dp holes for #4 self-tapping screws
All other body materials: 4-40 x .250 dp threaded holes



075T2 & 100T2
2 WAY



075T3 & 100T3
3 WAY



® Registered trademark of DuPont Co