

## Features

- 2 Versions
  - 075RV - stand-alone, spring loaded
  - 075RS - spring loaded with solenoid control

### Series 075RV & 075RS

- 6 Pressure Relief Settings from 20 to 150 psi
- Fully Chemically Inert
- Perfluoroelastomer and PPS Wetted Fluid Path<sup>2</sup>
- Minimal Internal Volume
- High Cycle Life

### Series 075RS

- Isolated solenoid
- Continuous Duty Coil
- Low Power Consumption
- Fast Response Time

## Specifications

Series	075RV / 075RS
Orifice Diameter	0.062" (1.57mm)
Flow Rate	$C_v = 0.030 \pm 0.005$
Internal Volume	0.054 cc
Ports <sup>1</sup>	1/4" -28 Flat Bottom

Series	075RS	
Voltage	12 VDC	24 VDC
Power Watts @ 70° F (21° C)	2.8	2.8
Current Amps @ 70° F (21° C)	0.23	0.12
Lead Wires	15" (381mm) 26 Gauge Teflon® Coated	

1 Other ports available (e.g. M6 x 1.0, or 10-32). Please consult factory.  
 2 PTFE optionally available for body and/or diaphragm. Please consult factory.

See back for standard pressure configurations.



The 075RV / 075RS relief valve series is ideally suited for use with aggressive and high-purity fluids. Wetted parts consist of the PPS (Ryton) valve body and the Chemraz® diaphragm. Custom body and diaphragm configurations are available from a broad menu of engineered plastics and elastomers, including Teflon®. The unique Bio-Chem Valve diaphragm retention design ensures the most reliable performance and longest life available.

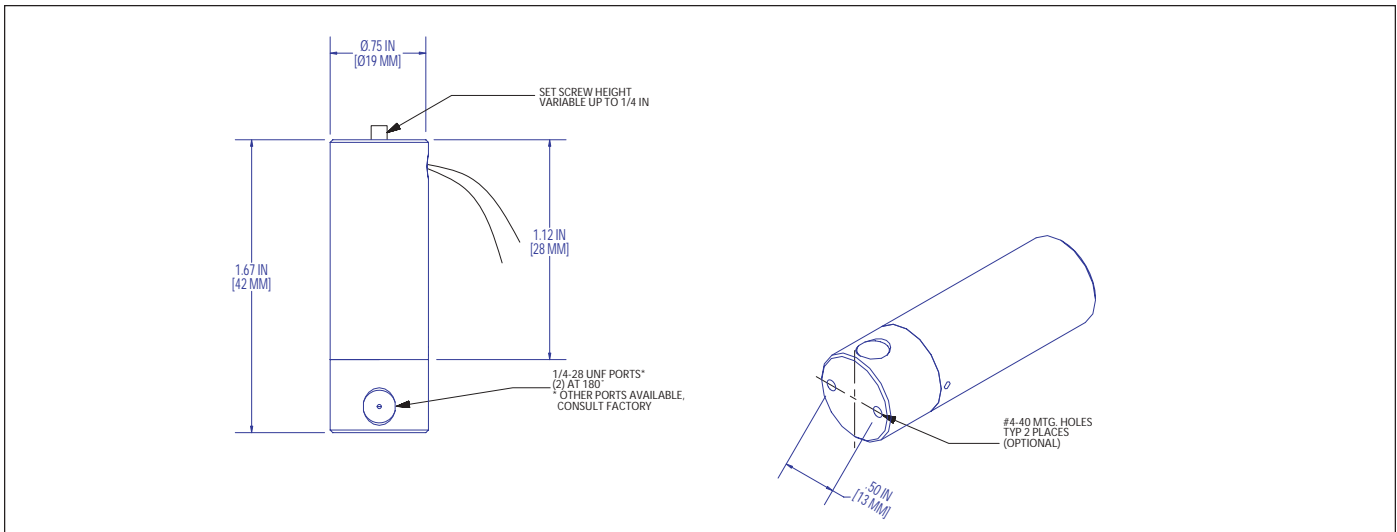
The solenoid operated, normally closed 075RS relief valve provides dual functionality as a solenoid valve with pressure relief function. This provides flow control and the capability to periodically purge the system.

Relief pressure settings other than the standard values indicated on this product data sheet are also possible. Contact Bio-Chem Valve and Omnifit for custom modifications.

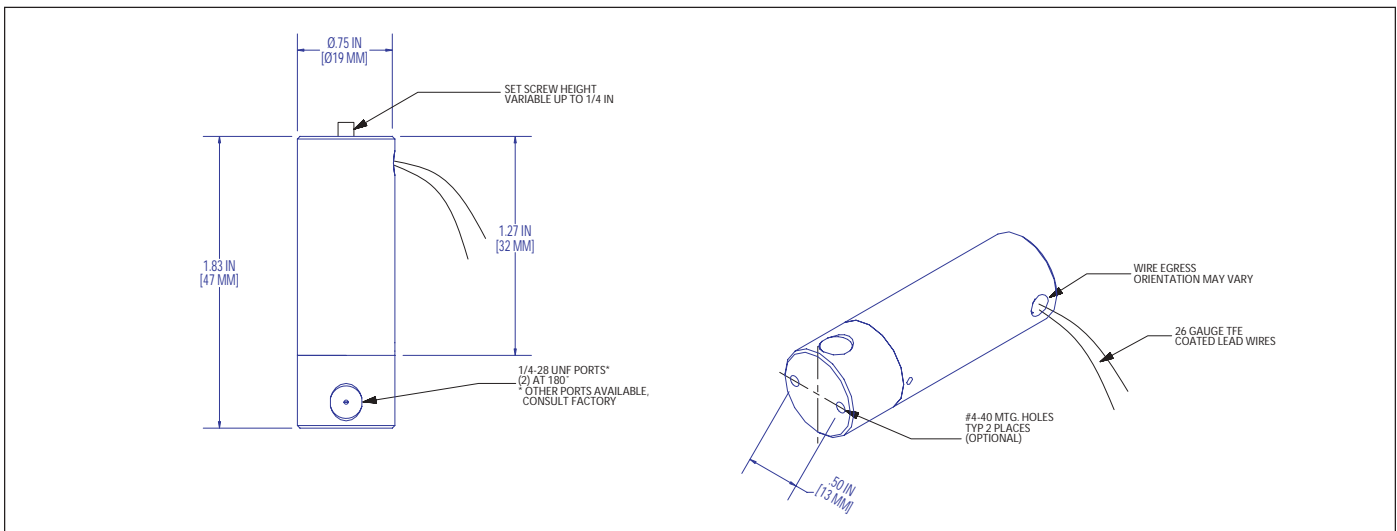
1	Select valve size	075
2	Indicate Style	RV - Relief Valve RS - Relief Valve with solenoid
3	Indicate Voltage	(Blank for RV Series), 12VDC, 24VDC
4	Indicate orifice size	0.062"
6	Indicate Relief Pressure	20, 35, 60, 85, 110, or 150 psi

Example: 075 RV - 62 - 35  
 075 RS 12 - 62 - 110  
 Valve Valve Voltage Orifice Relief  
 Size Type Diameter Pressure

## Series 075RV Relief Valve



## Series 075RS Relief Valve with solenoid



## Standard Pressure Configurations

Operating Pressure	Relief Pressure
0 - 17 psig	20 +/- 3 psi
0 - 31 psig	35 +/- 4 psi
0 - 54 psig	60 +/- 6 psi
0 - 77 psig	85 +/- 8 psi
0 - 100 psig	110 +/- 10 psi
0 - 138 psig	150 +/- 12 psi

Trademarks:

Teflon®, Viton® are registered trademarks of E.I. du Pont de Nemours and Company

Rev. 1104

A  
HALMA  
GROUP  
COMPANY



www.chromtech.net.au E-mail : info@chromtech.net.au Tel : +61 3 9762 2034 Fax : +61 3 9761 1169