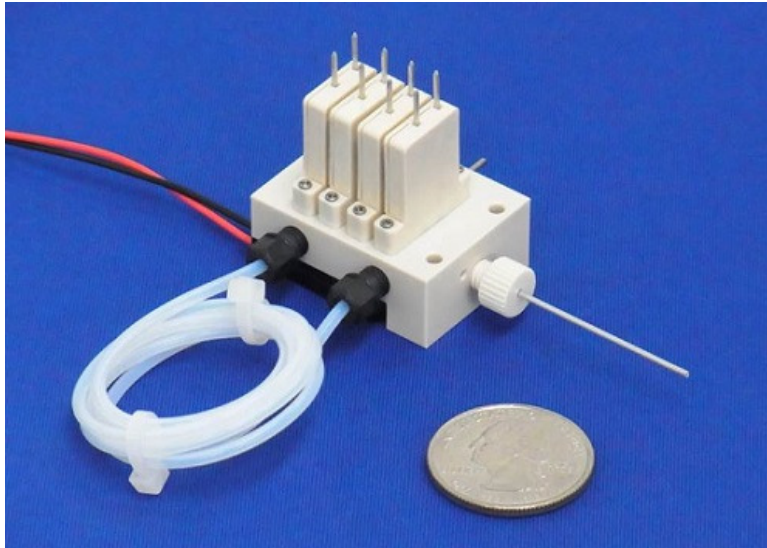


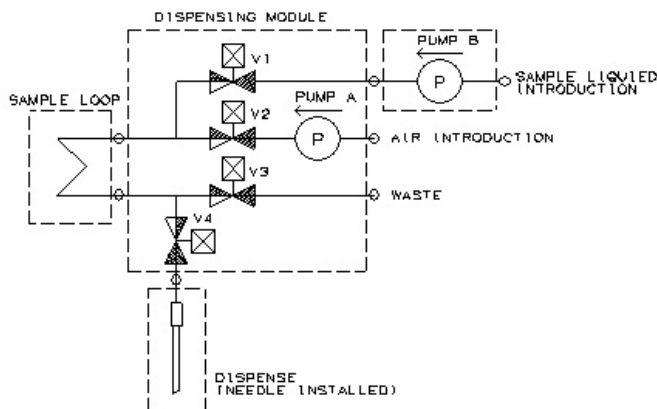


Ultra-small Dispensing Module (Under Development)



This module meters liquid for dispensing. Every time the button on the controller (external input also possible) is pushed, the module releases the liquid metered by the sample loop from the needle. Its small dimensions of 38.3 x 41.3 x 37.4mm and light weight of approx. 25g enable it to be mounted on moving elements.

(Please refer to the flow diagram below for the configuration.)



This is just an example of valve modules using our SMV series of shape memory alloy driven ultra-slim valves. The use of SMVs realises significant miniaturisation of various valve modules. In addition, prices are competitive, helping to reduce the cost of your modules.

Note

1. Pump B in the diagram above is not included in this module.