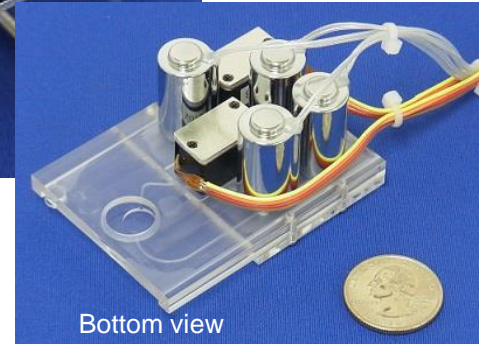
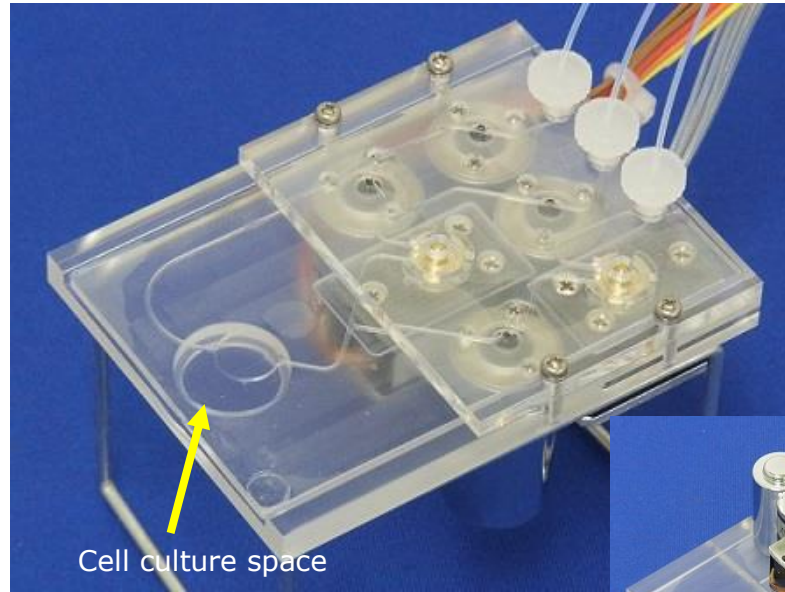
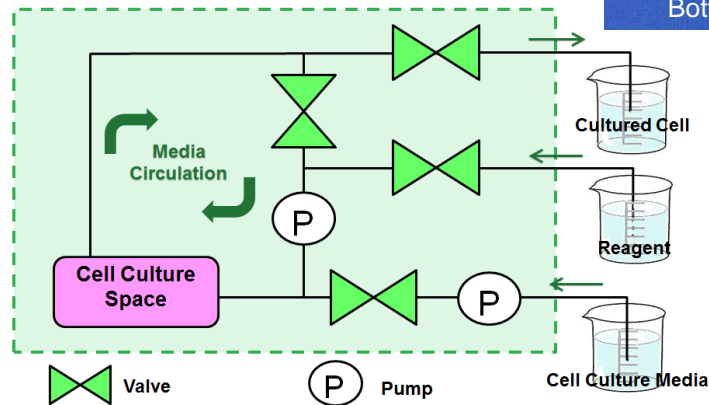


# All-in-one Disposable PDMS Chip



## Flow Diagram



This all-in-one system on a disposable PDMS chip is a microfluidic module designed for cell culture. It has peristaltic pumps, miniature valves, and a built-in cell culture space which can be observed under a microscope. The replaceable chip is sterilisable before use. A remote controller using an Android application is available for this module upon request.

**This is just an example of our integrated fluid control systems. We design and manufacture systems for various microfluidic operations in accordance with your requirements. Please feel free to contact us.**

Note:

1. This system is jointly developed with Third party Cos - Availability depends on custom feasibility and Quantity required
2. Details including specifications may change without notification.