



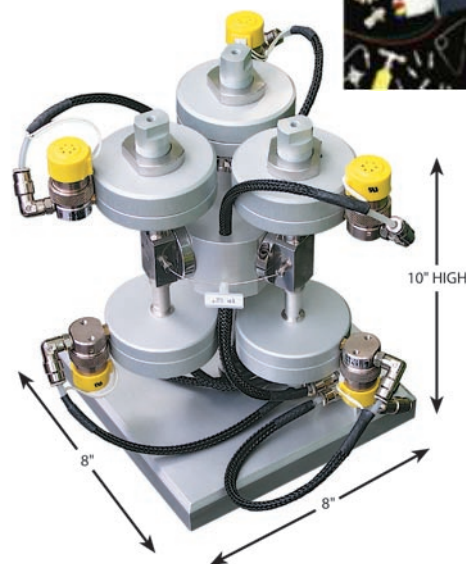
40,000 psi ultra-high pressure injector system

The VICI 40K injector is comprised of six miniature air actuated needle valves, plumbed to simulate the flow path of a conventional rotor/stator injector. An integral controller sends the on/off positioning signals to each valve, coordinating them to perform load, inject, and flush functions. For more information, contact our technical department.

There are three methods for sending positioning commands to the injector:

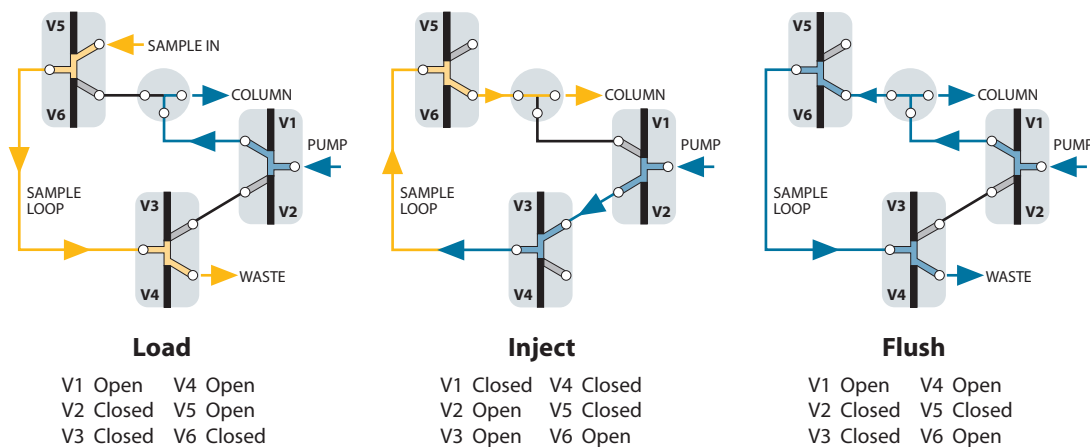
- Manual control with the pushbuttons on the controller
- Laboratory computer via serial port communication
- Contact closure inputs

Ultra-high pressure injector system



Prod No	Price
SPSS40	

Ultra-high pressure injector system schematic



Patent No.6,079,313

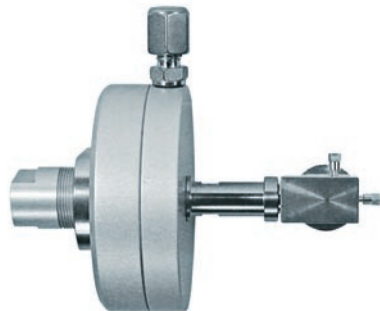
CHROMalytic TECHNOlogy Pty Ltd AUSTRALIAN Distributors e-mail: sales@chromtech.net.au Tel: 03 9762 2034



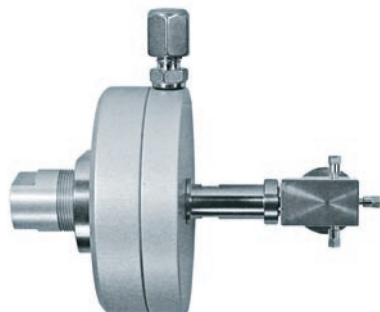
NEW 40,000 psi ultra-high pressure valves

The ultra-high pressure valves that are the heart of our SPSS40 (previous page) are now available individually, in 1/16", 1/32", and 360 micron versions. There are three types – a two port on/off valve, a dual on/off valve, and a 3-way prime/purge valve. (See page 213 for flowpath schematics.) The dual on/off configuration has two individually controlled outlets with a common inlet (or vice versa), emulating a rotary three way valve.

Implementation requires a single three-way solenoid: application of 50 psi opens the valve; venting the air allows the spring to return the valve to the closed position. A fitting for 1/8" air supply tubing is included; two fittings are included for dual valves. (Fitting: prod no EAOR21. See page 219.)



**On/off valve
360 µm ZDV fittings**



**Prime/purge valve
360 µm ZDV fittings**

On/off valves

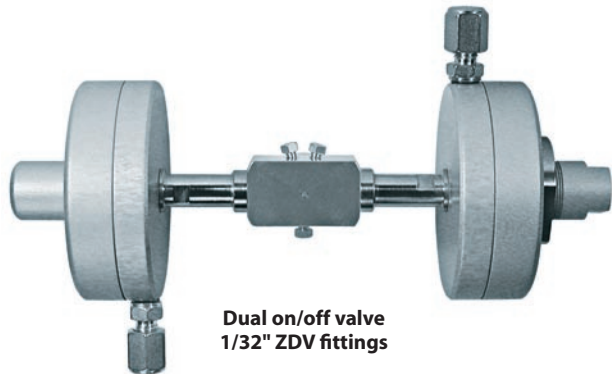
SPECS		Fitting size	Bore	Prod No	Price
Temp	Pressure	360 µm	0.15 mm	ASFVO40K360	
50°C	40,000 psi	1/32"	0.15 mm	ASFVO40K.5	
		1/16"	0.15 mm	ASFVO40K1	

Prime/purge valves

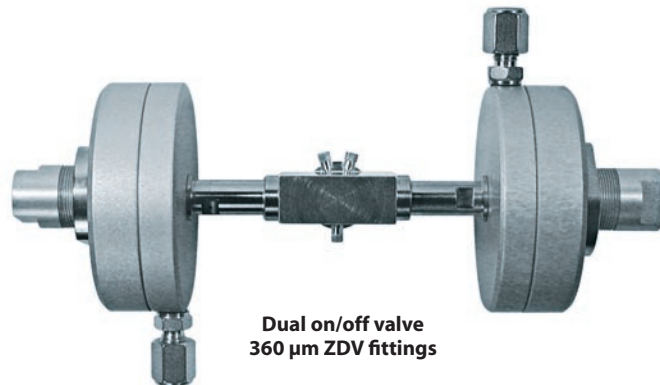
SPECS		Fitting size	Bore	Prod No	Price
Temp	Pressure	360 µm	0.15 mm	ASFV40K360	
50°C	40,000 psi	1/32"	0.15 mm	ASFV40K.5	
		1/16"	0.15 mm	ASFV40K1	

Dual on/off valves

SPECS		Fitting size	Bore	Prod No	Pri
Temp	Pressure	360 µm	0.15 mm	ASFVOD40K360	
50°C	40,000 psi	1/32"	0.15 mm	ASFVOD40K.5	
		1/16"	0.15 mm	ASFVOD40K1	



**Dual on/off valve
1/32" ZDV fittings**



**Dual on/off valve
360 µm ZDV fittings**

TECH TIP

Three dual on/off valves comprise the ultra-high pressure injector system, SPSS40, on the facing page.