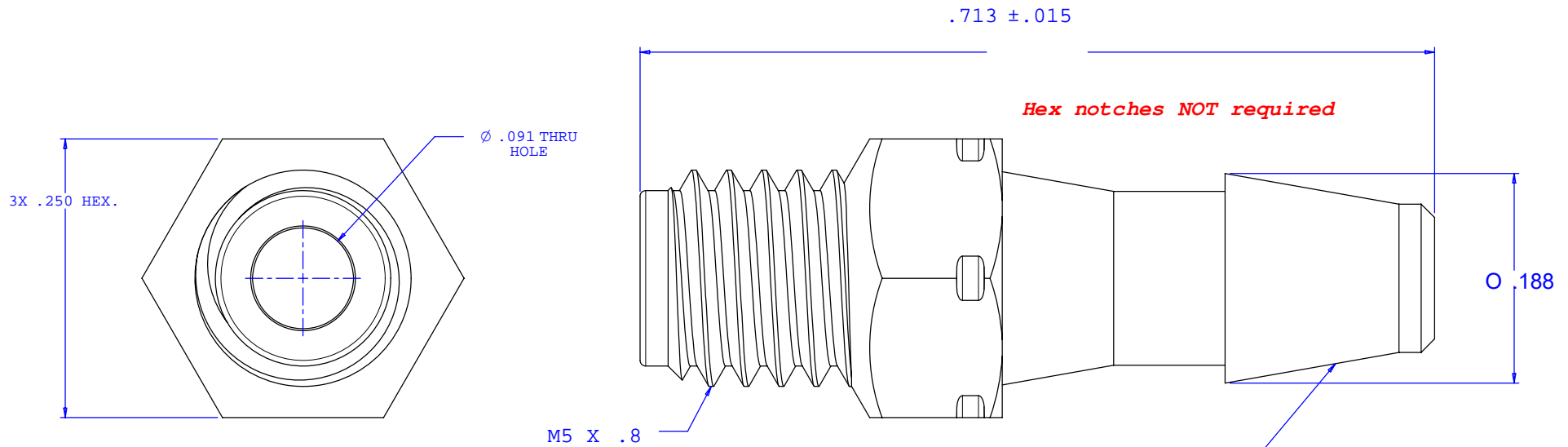
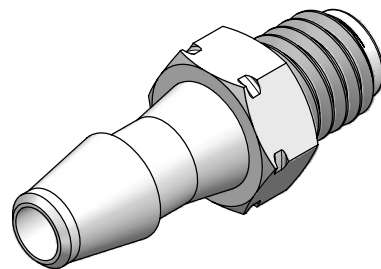


REVISIONS			
REV.	DESCRIPTION	DATE	APPROVED
A	INITIAL RELEASE	11-05-01	
B	CO 039 Drafting Update	04-12-06	Rick C.



for 3D Print in Nylon or Polypropylene



DRAWN BY:		DATE:		PART NUMBER: CTM5230-1	
DESCRIPTION: M5x.8 Thread with 1/4" Hex to 200 Series Barb, 1/8" (3 mm) ID Tubing				DRAWING NUMBER: 1008054	
ENGINEER:		SCALE: NTS		REV. B	
© 2005 VALUE PLASTICS, INC.				SHEET: 1 OF 1	

FOR REFERENCE ONLY