

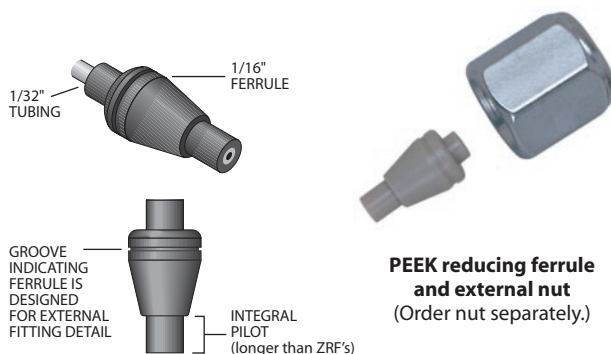
OPTION

Available in Virgin Polyimide.

External reducing ferrules

Use these ferrules in external type fitting details, with nuts that have internal threads.

	Prod No	Price	Prod No	Price	Prod No	Price
<i>Package of 5:</i>	PTFE, Glass-filled		PEEK		Polyimide, Valcon	
1/16" to 1/32"	EZRF1.5TFG-5		EZRF1.5PK-5		EZRF1.5V-5	
1/8" to 1/32"	EZRF2.5TFG-5		EZRF2.5PK-5		EZRF2.5V-5	
1/8" to 1/16"	EZRF21TFG-5		EZRF21PK-5		EZRF21V-5	
1/4" to 1/16"	EZRF41TFG-5		EZRF41PK-5		EZRF41V-5	
1/4" to 1/8"	EZRF42TFG-5		EZRF42PK-5		EZRF42V-5	
<i>Package of 5:</i>	CTFE					
1/16" to 1/32"	EZRF1.5KF-5					
1/8" to 1/32"	EZRF2.5KF-5					
1/8" to 1/16"	EZRF21KF-5					
1/4" to 1/16"	EZRF41KF-5					
1/4" to 1/8"	EZRF42KF-5					

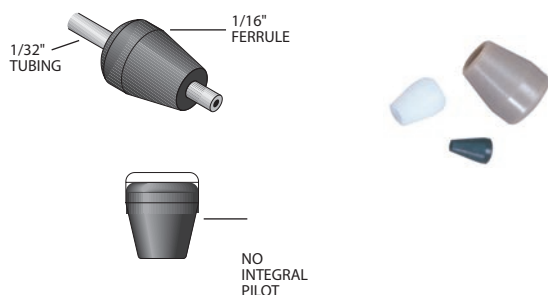


External reducing ferrule (EZRF)

Standard reducing ferrules

Use these ferrules for bulk distribution only, since the resulting connection will not be zero dead volume. These ferrules can be used in either internal or external type fitting details.

	Prod No	Price	Prod No	Price	Prod No	Price
<i>Package of 5:</i>	PTFE, Glass-filled		PEEK		Polyimide, Valcon	
1/16" to 1/32"	RF1.5TFG-5		RF1.5PK-5		RF1.5V-5	
1/8" to 1/32"	RF2.5TFG-5		RF2.5PK-5		RF2.5V-5	
1/8" to 1/16"	RF21TFG-5		RF21PK-5		RF21V-5	
1/4" to 1/16"	RF41TFG-5		RF41PK-5		RF41V-5	
1/4" to 1/8"	RF42TFG-5		RF42PK-5		RF42V-5	
<i>Package of 5:</i>	CTFE					
1/16" to 1/32"	RF1.5KF-5					
1/8" to 1/32"	RF2.5KF-5					
1/8" to 1/16"	RF21KF-5					
1/4" to 1/16"	RF41KF-5					
1/4" to 1/8"	RF42KF-5					



Standard reducing ferrule (RF)

- 0.25 mm = .010"
- 0.50 mm = .020"
- 0.75 mm = .030"
- 1.0 mm = .040"
- 1.5 mm = .060"
- 2.0 mm = .080"
- 4.6 mm = .180"
- 6.0 mm = .236"
- 6.4 mm = .253"
- 7.0 mm = .275"
- 10.0 mm = .400"
- 27.0 mm = 1.08"
- 1/32" = 0.8 mm
- 1/16" = 1.6 mm
- 1/8" = 3.2 mm
- 1/4" = 6.4 mm
- 3/8" = 9.5 mm
- 1/2" = 12.7 mm