

Ultra-High Pressure Injector System

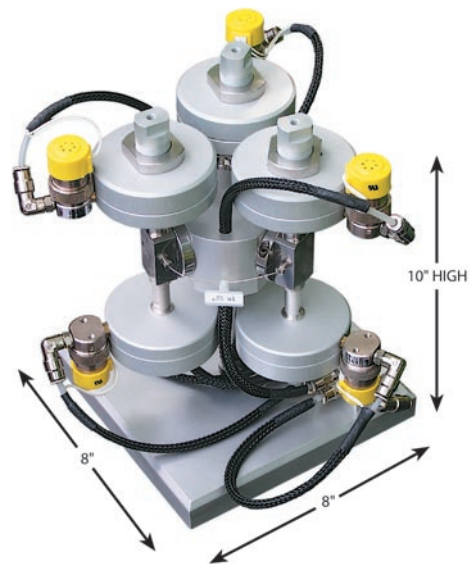
40,000 psi ultra-high pressure injector system

The VICI 40K injector is comprised of six miniature air actuated needle valves, plumbed to simulate the flow path of a conventional rotor/stator injector. An integral controller sends the on/off positioning signals to each valve, coordinating them to perform load, inject, and flush functions. For more information, contact our technical department.

There are three methods for sending positioning commands to the injector:

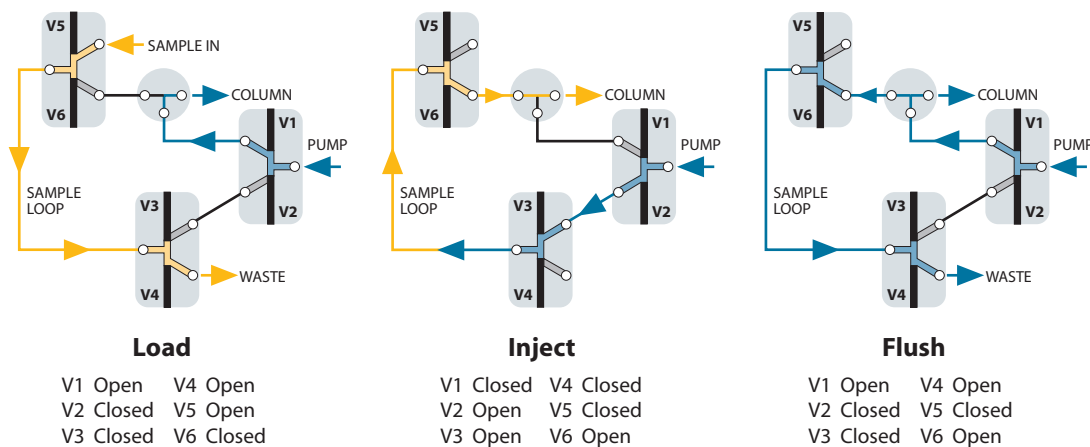
- Manual control with the pushbuttons on the controller
- Laboratory computer via serial port communication
- Contact closure inputs

Ultra-high pressure injector system



Prod No	Price
SPSS40	

Ultra-high pressure injector system schematic



Patent No.6,079,313

CHROMalytic TECHNOlogy Pty Ltd AUSTRALIAN Distributors e-mail: sales@chromtech.net.au Tel: 03 9762 2034