



PACKING HPLC COLUMNS IS YOUR BUSINESS...
OURS IS PROVIDING THE FRITS!

Biotech AB. P.O. Box 133, SE-439 23 Onsala, Sweden. info@biotech.se – www.biotech-sweden.com



HROMalytic +61(0)3 9762 2034
ECHnology Pty Ltd

Australian Distributors; Importers & Manufacturers

website . www.chromitech.net.au E-mail . info@chromitech.net.au TELNO . 03 9702 2034 . . . IN AUSTRALIA

NOTES AND INDEX

Dimensions

The thickness dimension in the part drawings represents the thickness of the frit disc not the frit ring. Frit rings are often slightly thicker to ensure a proper seal. When tightened into a filter holder the ring compresses to the thickness of the frit disc.

The volume listed for each frit and frit disc is the item's theoretical hold-up volume — the volume of fluid required to fill the pores of the frit. These numbers are obtained by calculating the solid volume of the frit disc and then multiplying by the following factors:

- 18% for 0.2µm frits
- 20% for 0.5µm frits
- 24% for 2µm frits
- 26% for 5µm frits
- 28% for 10µm frits
- 30% for 20µm frits

To Clean Or Not To Clean?

It is rarely worth the time and effort to clean frits, given the relatively low cost of replacements. Furthermore, cleaning may leave some debris embedded in the frit pores. If the washed frit is accidentally returned to your instrument in a reverse orientation, any remaining debris could be flushed out and deposited further down the fluid path. If this frit is being used as a column head frit, the debris may be washed directly onto the column bed.

PORO-FRIT™ – TECHNICAL DATA 3

100% PEEK™ FRITS 4-5

TITANIUM FRITS..... 6-7

STAINLESS STEEL FRITS 8-9

STAINLESS STEEL SEMI-PREP FRITS 10-11

Polyethylene Hydrophilic Frits

Biotech produces a variety of dimensions of Polyethylene Hydrophilic frits primarily intended for SPE (Solid Phase Extraction) applications. Details upon request.

Special Design

Frits can be modified; rings – no rings, PEEK rings – PCTFE rings etc.

PORO-FRIT™ FOR PREP CHROMATOGRAPHY.

TECHNICAL DATA.

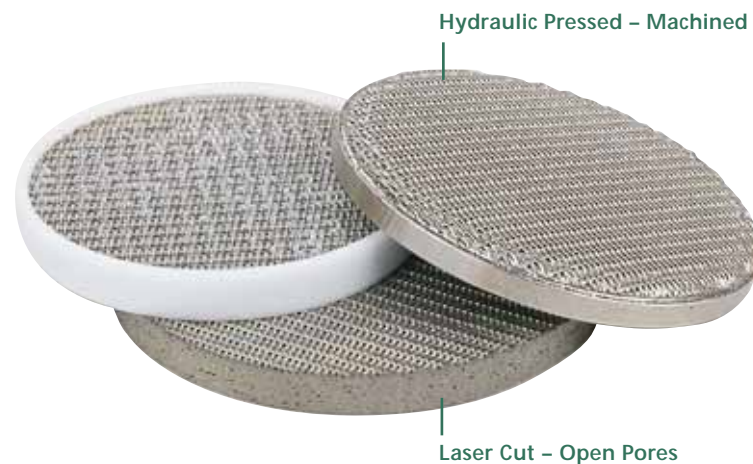
Poro-Frit™ is a woven wire cloth laminate with the different wire cloth layers closely bounded together by a unique sintering process, resulting in a predetermined precise characteristics with regard to pore-size, number of layers, strength, pore distribution and permeability.

Poro-Frit™ has a defined pore size range of 2 microns and upwards and the geometry of the pores is uniform and there are no “blind holes”, which may happen in ordinary sintered frits. The physical

characteristics are very well suited for prep chromatography since the build-up of back-pressure is very low and flow characteristics are excellent.

Presently we do have a capacity to manufacture prep frits in the range from 20 mm up to 1 200 mm without welding.

Depending upon the application most of our frits have 5-10 layers, including a strong support screen, and a thickness of either 1.7 – 3.0 – 5.0 mm.



HROMalytic +61(0)3 9762 2034
ECHnology Pty Ltd
Australian Distributors; Importers & Manufacturers

website . www.chromotech.net.au E-mail . info@chromotech.net.au PHONE . 03 9702 2034 . . . IN AUSTRALIA

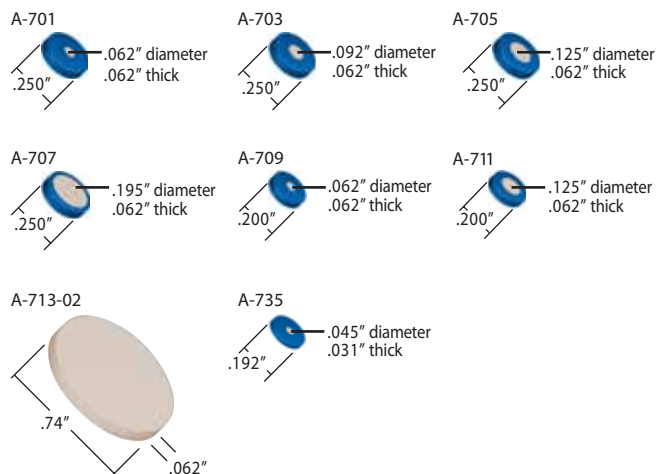
100% PEEK™ FRITS

- INERT, BIOCOMPATIBLE AND METAL-FREE
- UNIFORM POROSITY, LONGER FILTRATION LIFE

PEEK™ Frits offer exceptionally uniform porosity – more than any other frit on the market. This property ensures longer filtration life and consistent frit-to-frit swept volumes. The 100% PEEK polymer frit discs are biocompatible and inert to most solvents, making them well-suited for bioanalytical applications. PEEK's robust properties make these products suitable for low and high pressure applications. PEEK frits are also a good choice for many high temperature applications (up to 100°C).

Disc rings, available on most PEEK frits, are made of Kel-F® (PCTFE) and are slightly thicker than the frit disc, providing enhanced sealing and excellent chemical resistance.

0.5µm PEEK FRITS

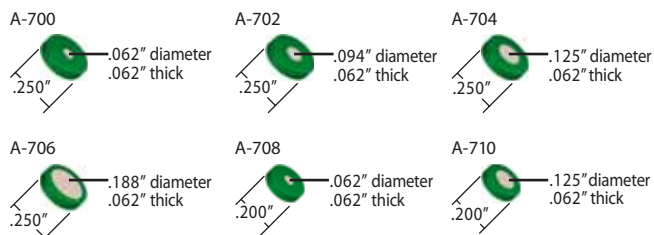


0.5µm PEEK FRITS

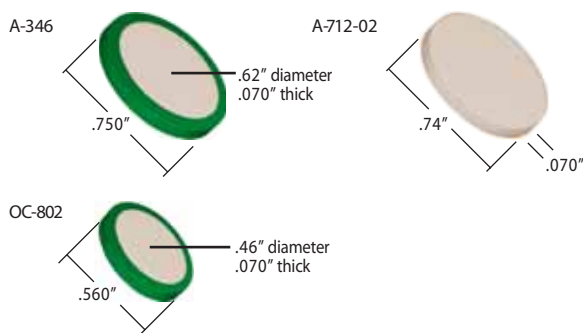
	Disc Diameter	Disc Thickness	Ring OD ¹	Frit Volume
A-701	.062"	.062"	.250"	0.6µL
A-703	.092"	.062"	.250"	1.4µL
A-705	.125"	.062"	.250"	2.4µL
A-707	.195"	.062"	.250"	6.1µL
A-709	.062"	.062"	.200"	0.6µL
A-711	.125"	.062"	.200"	2.5µL
A-713-02	.74"	.062"	(no ring)	87.4µL
A-735	.045"	.031"	.192"	0.2µL

100% PEEK™ FRITS *cont.*

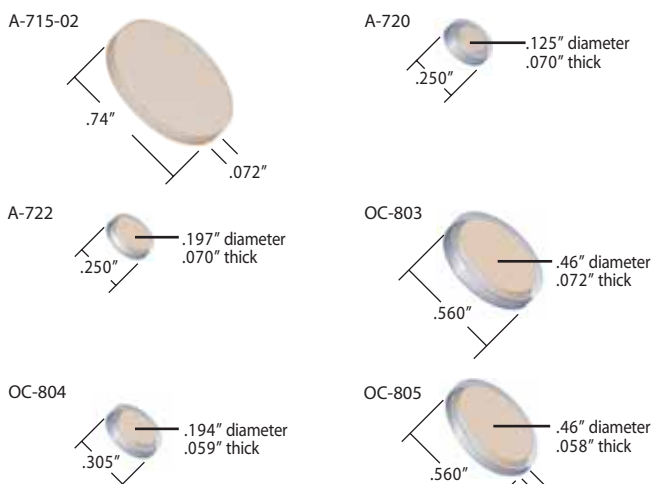
2µm PEEK FRITS



2µm SEMI-PREP PEEK FRITS



5µm and 10µm PEEK FRITS



2µm PEEK FRITS

	Disc Diameter	Disc Thickness	Ring OD ¹	Frit Volume
A-700	.062"	.062"	.250"	0.7µL
A-702	.094"	.062"	.250"	1.7µL
A-704	.125"	.062"	.250"	3.0µL
A-706	.188"	.062"	.250"	7.1µL
A-708	.062"	.062"	.200"	0.7µL
A-710	.125"	.062"	.200"	3.0µL

2µm SEMI-PREP PEEK FRITS

	Disc Diameter	Disc Thickness	Ring OD ¹	Frit Volume
A-346	.62"	.070"	.750"	85.5µL
A-712-02	.74"	.070"	(no ring)	115.2µL
OC-802	.46"	.070"	.560"	46.4µL

5µm AND 10µm PEEK FRITS

	Disc Diameter	Disc Thickness	Ring OD ¹	Porosity	Frit Volume
A-715-02	.74"	.072"	(no ring)	10µm	142.1µL
A-720	.125"	.070"	.250"	10µm	4.2µL
A-722	.197"	.070"	.250"	10µm	9.9µL
OC-803	.46"	.072"	.560"	10µm	57.2µL
OC-804	.194"	.059"	.305"	10µm	8.4µL
OC-805	.46"	.058"	.560"	5µm	41.1µL

The manufacturing process may cause some slight color variance in our PEEK frits. This does not affect their quality or performance. Frit dimensions are approximate. Actual batch-to-batch frit dimensions may vary slightly.

¹ Ring manufactured from PCTFE polymer

HROMalytic +61(0)3 9762 2034
ECHnology Pty Ltd

Australian Distributors; Importers & Manufacturers

website . www.chromtech.net.au E-mail . info@chromtech.net.au TELNO . 03 9762 2034 . . . IN AUSTRALIA

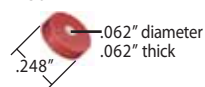
TITANIUM FRITS

• EXCELLENT ALTERNATIVE TO STAINLESS STEEL

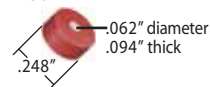
Titanium is a biocompatible alternative to stainless steel. Our 0.2µm, 0.5µm and 2µm porosity titanium frits are surrounded by PEEK™ or Kel-F® (PTFE) polymer for enhanced sealing.

0.2µm TITANIUM FRITS

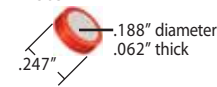
A-501



A-502



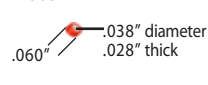
A-503



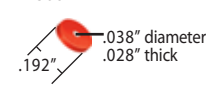
A-504



A-505



A-506

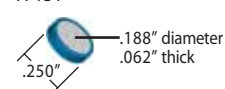


A-507



0.5µm TITANIUM FRIT

A-131



0.2µm TITANIUM FRITS

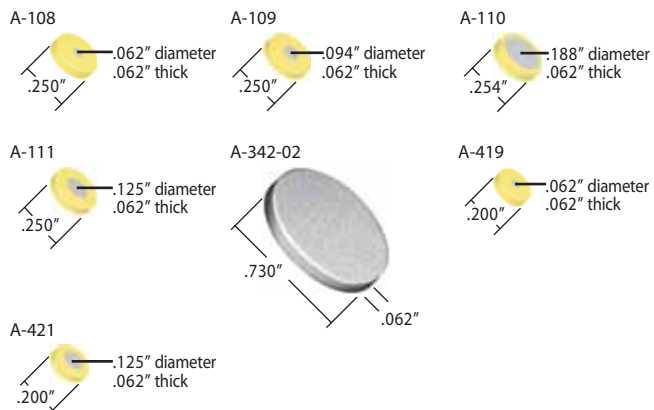
	Disc Diameter	Disc Thickness	Ring OD ²	Frit Volume
A-501	.062"	.062"	.248" ¹	0.6µL
A-502	.062"	.094"	.248" ¹	0.8µL
A-503	.188"	.062"	.247" ²	5.1µL
A-504	.118"	.062"	.250" ²	2.0µL
A-505	.038"	.028"	.060" ²	0.1µL
A-506	.038"	.028"	.192" ²	0.1µL
A-507	.038"	.028"	.125" ²	0.1µL

0.5µm TITANIUM FRIT

	Disc Diameter	Disc Thickness	Ring OD ²	Frit Volume
A-131	.188"	.062"	.250"	5.6µL

TITANIUM FRITS *cont.*

2µm TITANIUM FRITS



2µm TITANIUM FRITS

	Disc Diameter	Disc Thickness	Ring OD ²	Frit Volume	Qty.
A-108x	.062"	.062"	.250"	0.7µL	10-pk
A-109x	.094"	.062"	.250"	1.6µL	10-pk
A-110x	.188"	.062"	.254"	7.1µL	10-pk
A-111	.125"	.062"	.250"	2.7µL	ea.
A-342-02	.730"	.062"	(no ring)	93.6µL	ea.
A-419	.062"	.062"	.200"	0.7µL	ea.
A-421	.125"	.062"	.200"	2.7µL	ea.

Frit dimensions are approximate. Actual batch-to-batch frit dimensions may vary slightly.

1 Ring manufactured from PEEK polymer.

2 Ring manufactured from PCTFE polymer.



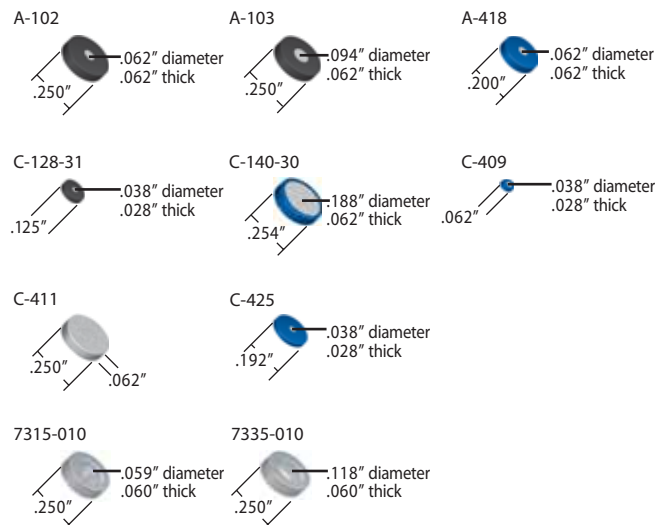
HROMalytic +61(0)3 9762 2034
ECHnology Pty Ltd
 Australian Distributors; Importers & Manufacturers

STAINLESS STEEL FRITS

Stainless Steel Frits are available in 0.5µm porosity – the most common HPLC filtration ratings. Each frit includes a Kel-F® (PCTFE) or PEEK™ polymer sealing ring. Many of the frits shown have the common .250" and .254" ODs, which allow them to be used in the precolumn and inline filters.

Two 0.5µm porosity Stainless Steel Frits are also available. Part numbers 7315-010 and 7335-010 are replacement frits for Rheodyne Column Inlet Filters 7315 and 7335, respectively.

0.5µm STAINLESS STEEL FRITS



0.5µm STAINLESS STEEL FRITS

	Disc Diameter	Disc Thickness	Ring OD	Frit Volume	Qty.
A-102x	.062"	.062"	.250" ¹	0.6µL	10-pk
A-103x	.094"	.062"	.250" ¹	1.4µL	10-pk
A-418	.062"	.062"	.200" ²	0.6µL	ea.
C-128-31	.038"	.028"	.125" ¹	0.1µL	ea.
C-140-30x	.188"	.062"	.254" ²	6.5µL	10-pk
C-409x	.038"	.028"	.062" ²	0.1µL	10-pk
C-411	.250"	.062"	(no ring)	10.0µL	ea.
C-425x	.038"	.028"	.192" ²	0.1µL	10-pk
7315-010	.059"	.060"	.250" ³	0.5µL	5-pk
7335-010	.118"	.060"	.250" ³	2.2µL	5-pk

HROMalytic +61(0)3 9762 2034

ECHnology Pty Ltd

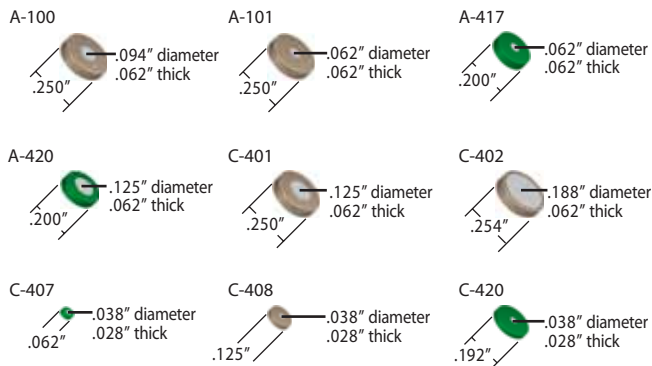
Australian Distributors; Importers & Manufacturers

website . www.chromtech.net.au E-mail . info@chromtech.net.au PHONE . 03 9762 2034 . . . IN AUSTRALIA

STAINLESS STEEL FRITS *cont.*



2µm STAINLESS STEEL FRITS



2µm STAINLESS STEEL FRITS

	Disc Diameter	Disc Thickness	Ring OD	Frit Volume	Qty.
A-100x	.094"	.062"	.250" ¹	1.7µL	10-pk
A-101x	.062"	.062"	.250" ¹	0.7µL	10-pk
A-417	.062"	.062"	.200" ²	0.7µL	ea.
A-420	.125"	.062"	.200" ²	3.0µL	ea.
C-401x	.125"	.062"	.250" ¹	3.0µL	10-pk
C-402x	.188"	.062"	.254" ¹	7.8µL	10-pk
C-407x	.038"	.028"	.062"	2 0.1µL	10-pk
C-408x	.038"	.028"	.125" ¹	0.1µL	10-pk
C-420x	.038"	.028"	.192"	2 0.1µL	10-pk

Frit dimensions are approximate. Actual batch-to-batch frit dimensions may vary slightly.

1 Ring manufactured from PEEK polymer.

2 Ring manufactured from PCTFE polymer.

3 Inner ring manufactured from PCTFE polymer. Outer ring manufactured from stainless steel.

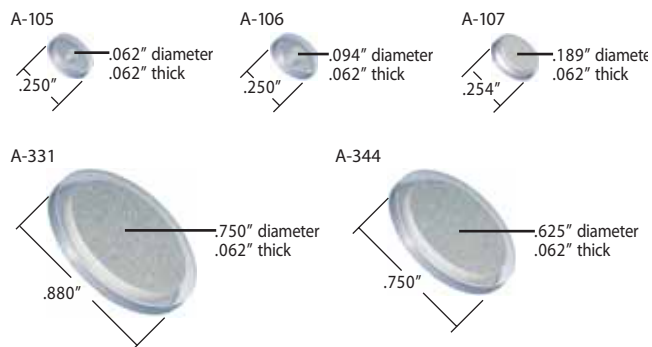
STAINLESS STEEL SEMI-PREP FRITS

We offer a full line of 316 Stainless Steel Frits for semi-prep applications. Many of these frits come complete with a Kel-F® (PCTFE), Tefzel® (ETFE) or DuPont Teflon® brand resin PTFE sealing ring. Choose from 2µm, 5µm, 10µm and 20µm filtration porosities and a range of diameters to match your intended flow rate and filtration requirements.

2µm STAINLESS STEEL SEMI-PREP FRITS



10µm STAINLESS STEEL SEMI-PREP FRITS



2µm STAINLESS STEEL SEMI-PREP FRITS

	Disc Diameter	Disc Thickness	Ring OD	Frit Volume	Qty.
A-332x	.750"	.062"	.880" ¹	141.9µL	10-pk
A-343	.625"	.062"	.750" ²	112.6µL	ea.

10µm STAINLESS STEEL SEMI-PREP FRITS

	Disc Diameter	Disc Thickness	Ring OD	Frit Volume	Qty.
A-105x	.062"	.062"	.250" ²	0.9µL	10-pk
A-106x	.094"	.062"	.250" ²	2.0µL	10-pk
A-107x	.189"	.062"	.254" ²	9.1µL	10-pk
A-331x	.750"	.062"	.880" ¹	141.9µL	10-pk
A-344	.625"	.062"	.750" ²	112.6µL	ea.

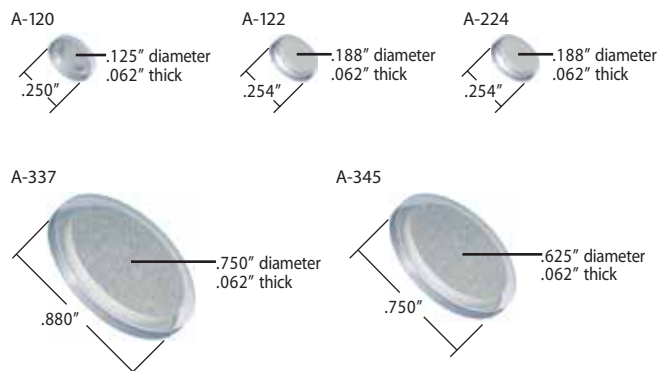
HROMalytic +61(0)3 9762 2034
ECHnology Pty Ltd

Australian Distributors; Importers & Manufacturers

website . www.chromtech.net.au E-mail . info@chromtech.net.au TELNO . 03 9702 2034 . . . IN AUSTRALIA

STAINLESS STEEL SEMI-PREP FRITS *cont.*

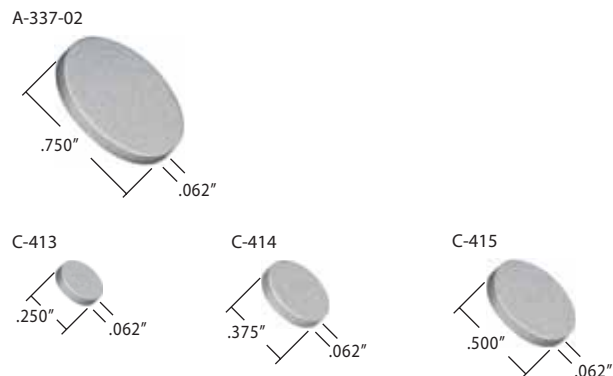
20µm STAINLESS STEEL SEMI-PREP FRITS



20µm STAINLESS STEEL SEMI-PREP FRITS

	Disc Diameter	Disc Thickness	Ring OD	Frit Volume	Qty.
A-120x	.125"	.062"	.250" ²	3.7µL	10-pk
A-122x	.188"	.062"	.254" ²	9.7µL	10-pk
A-224	.188"	.062"	.254" ³	9.7µL	ea.
A-337x	.750"	.062"	.880" ¹	152.0µL	10-pk
A-345	.625"	.062"	.750" ²	93.5µL	ea.

STAINLESS STEEL FRIT DISCS



STAINLESS STEEL FRIT DISCS

	Disc Diameter	Disc Thickness	Ring OD ²	Frit Volume	Qty.
A-335-02	.750"	.062"	2µm	107.7µL	ea.
A-336-02	.750"	.062"	10µm	125.7µL	ea.
A-337-02	.750"	.062"	20µm	134.7µL	ea.
C-400x	.250"	.062"	2µm	12.0µL	10-pk
C-412	.250"	.062"	5µm	13.0µL	ea.
C-413	.250"	.062"	10µm	14.0µL	ea.
C-414	.375"	.062"	2µm	26.9µL	ea.
C-415	.500"	.062"	2µm	47.9µL	ea.

Frit dimensions are approximate. Actual batch-to-batch frit dimensions may vary slightly.

1 Ring manufactured from ETFE polymer.

2 Ring manufactured from PCTFE polymer.

3 Ring manufactured from PTFE polymer.