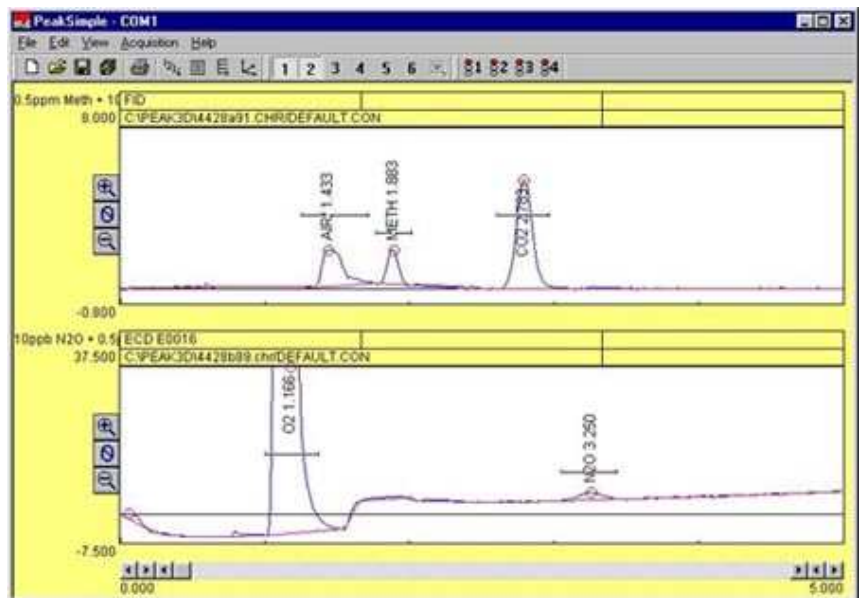


Greenhouse Gas GC System

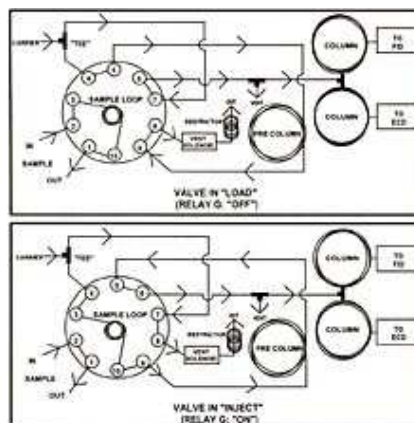


- ECD and FID detectors
- methanizer accessory (built-in)
- dual packed columns with precolumn
- 10-port gas sampling valve and sample loop
- internal whisper-quiet air compressor
- 6 channel PeakSimple data system
- ...on the compact **8610C** chassis

The Greenhouse Gas GC is designed for the detection of carbon dioxide (CO₂), methane (CH₄) and nitrous oxide (N₂O). Depending upon the volume of the sample loop on the gas sampling valve, it can detect trace levels or high concentrations. It may be used for stack or ambient air monitoring, or in a plane for atmospheric air analysis. The chromatogram below was generated by a Greenhouse Gas GC with a 5mL sample loop.



The Greenhouse GC is not limited to CO₂, CH₄ and N₂O. The FID-Methanizer detects hydrocarbons as well as CO and CO₂ (as methane). The sensitive ECD detector responds to electronegative compounds, especially chlorinated, fluorinated, or brominated molecules like PCBs and pesticides. With a low-volume sample loop, the Greenhouse GC can be used to measure gases produced by bacterial metabolic processes and life cycles.



The Greenhouse Gas GC uses a 10-port gas sampling valve plumbed with precolumn backflush.

USD		
8610-0040	Greenhouse Gas GC System	\$ 20,079.00
(VOLTAGE: for 110VAC, use 8610-0040; for 220VAC, use 8610-0040-2)		
Options & Upgrades: additional detectors , Split/Splitless injector		