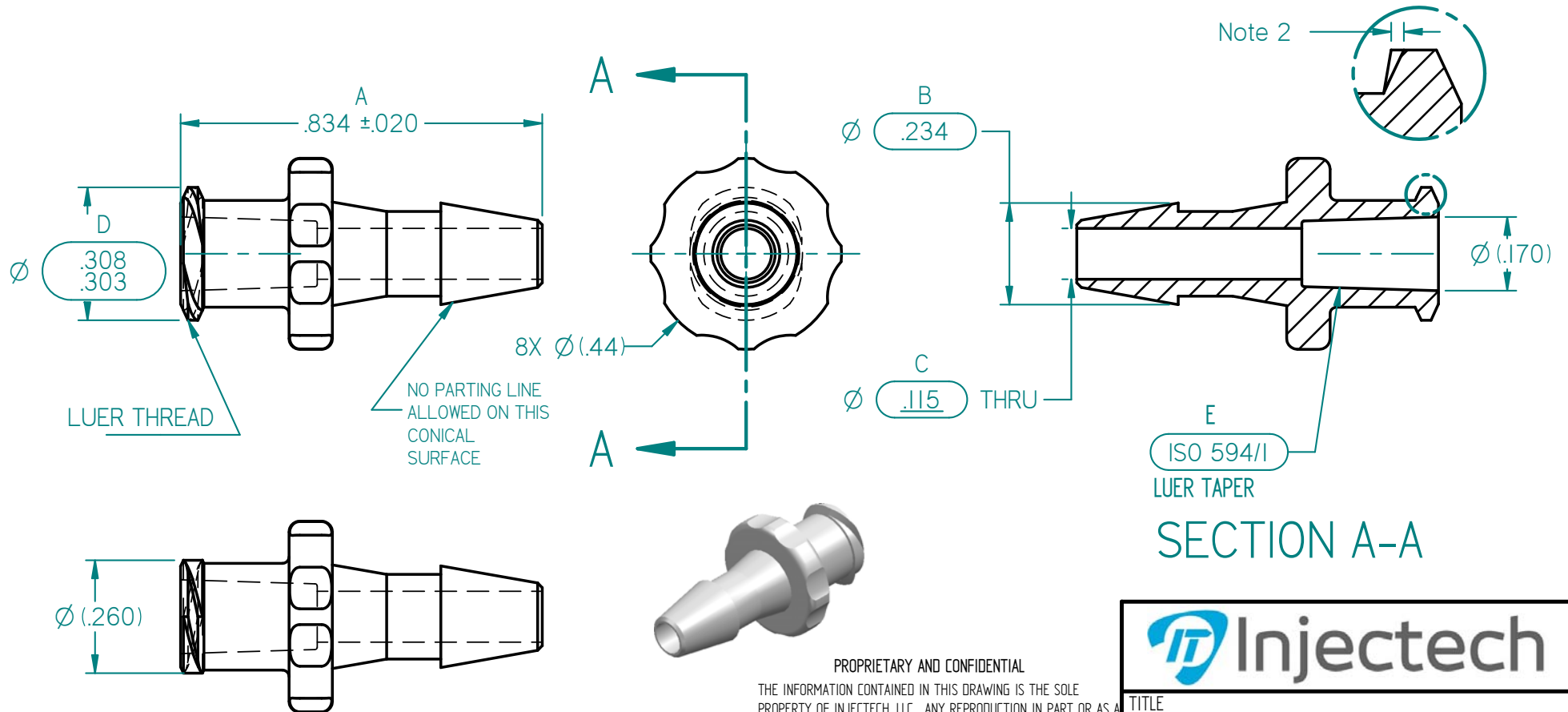


NOTES:

1. Critical to function dimensions are outlined.
2. For materials other than PC and ABS utilize reinforced thread profile.

REVISION HISTORY

REV	DESCRIPTION	DATE	APPROVED
A	Released	5/14/2005	DLM
B	ECO #080602	8/9/2006	LEK
C	ECO #051202	5/23/2012	LEK
D	ECO #031301	3/21/2013	LEK
E	ECO 17-32	4/17/2017	LEK



REFERENCE ONLY

PROPRIETARY AND CONFIDENTIAL

THE INFORMATION CONTAINED IN THIS DRAWING IS THE SOLE PROPERTY OF INJECTECH, LLC. ANY REPRODUCTION IN PART OR AS A WHOLE WITHOUT THE WRITTEN PERMISSION OF INJECTECH LLC. IS PROHIBITED.

UNLESS OTHERWISE SPECIFIED
DIMENSIONS ARE IN INCHES
ANGLES ±1°
2 PL ±0.01 3 PL ±0.005



TITLE			
Female Luer Lock to 5/32" Barb			
SIZE A	DWG NO 02532	REV E	
DRAWN KSS	DATE 01/20/2005		
SCALE:	NTS	SHEET 1 OF 1	