



Adaptors & Couplings



Inside.....

- Barbed Adaptors..... 2*
- Male 2*
- Female 2*
- 1/4"-28 Adaptors 3*
- 'Omnifit Cap' Adaptors 3*
- Variable Bore Adaptors 4*
- Couplings 4*

Chemically inert adaptors and couplings for a variety of thread sizes and tubing types

- Luer, 1/4"-28, barbed and 'Omnifit Cap' connection types
- Excellent chemical resistance
- Versions for hardwall and softwall tubing
- Custom designs available for OEM applications

Barbed Adaptors

Omnifit barbed adaptors are designed for use with soft wall tubing. They are machined rather than moulded and this gives a superior barb to retain soft wall tubing.

1/4"-28 Adaptors

These 1/4"-28 UNF male thread adaptors fit into any 1/4"-28 UNF flat bottom port, as used in most Omnifit valves and connectors, giving quick, push-on connections for softwall tubing. Glass adaptors and adaptors to male and female luer are also available. The glass 1/4"-28 UNF adaptor can be fused to other laboratory glassware to give a convenient threaded connection.

'Omnifit Cap' Adaptors

Cap adaptors replace the coloured cap on any of Omnifit's small variable bore connectors and valves to give either quick push-on connections for softwall tubing or luer connections.

Variable Bore Adaptors

Adaptors to fit 1/4"-28 female ports and adapt to 'Omnifit Cap' connections.

Couplings

Omnifit threaded couplings are a useful range of 'problem solving' parts that enable you to convert thread sizes quickly and easily. Omnifit couplings are available that accept a 1/4"-28 UNF male fitting at one end and convert this to a range of male and female thread types: 1/4"-28 UNF female, 10-32 female, 3/8" NPT male, 1/8" NPT male, M6, or 1/8" BSPT male.

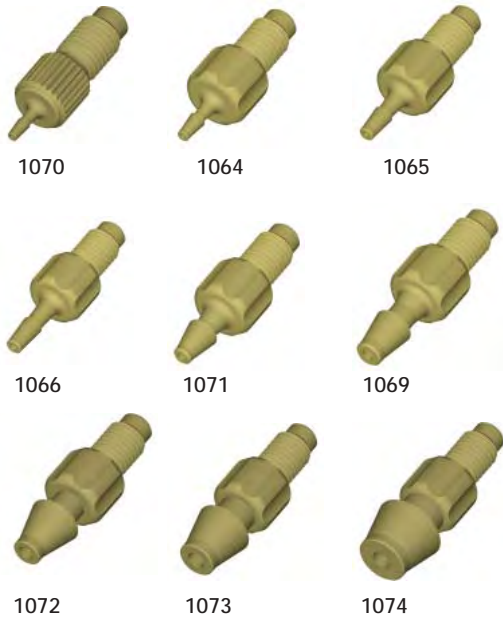
Barbed Adaptors

1/4"-28 Male to Barb Adaptors

- PEEK™ material
- Excellent chemical resistance
- Extra sharp machined barbs for resilient connections

These male 1/4"-28 to barb adaptors will connect softwall tubing to any female 1/4"-28 port.

Omnifit barbed adaptors are designed for use with softwall tubing. They are machined rather than moulded and this gives a superior barb to retain soft wall tubing.



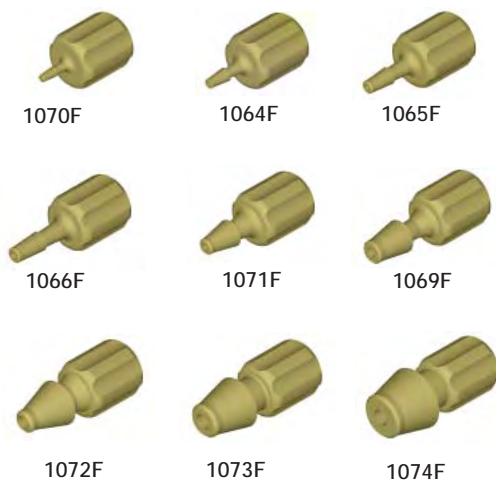
| Part Number | Compatible Tubing I.D. | Pack Size |
|-------------|------------------------|-----------|
| 1070 | 1.0mm | 1 |
| 1064 | 1.5mm | 1 |
| 1065 | 2.0mm | 1 |
| 1066 | 2.5mm | 1 |
| 1071 | 3.0mm | 1 |
| 1069 | 3.2mm | 1 |
| 1072 | 4.0mm | 1 |
| 1073 | 6.0mm | 1 |
| 1074 | 8.0mm | 1 |

1/4"-28 Female to Barb Adaptors

- PEEK™ material
- Excellent chemical resistance
- Extra sharp machined barbs for resilient connections

These female 1/4"-28 to barb adaptors will connect softwall tubing to any male 1/4"-28 thread.

Omnifit barbed adaptors are designed for use with softwall tubing. They are machined rather than moulded and this gives a superior barb to retain softwall tubing.

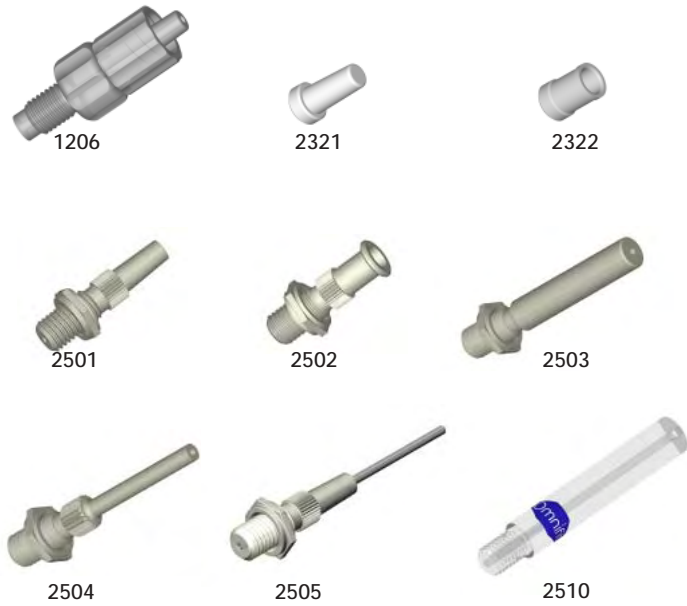


| Part Number | Compatible Tubing I.D. | Pack Size |
|-------------|------------------------|-----------|
| 1070F | 1.0mm | 1 |
| 1064F | 1.5mm | 1 |
| 1065F | 2.0mm | 1 |
| 1066F | 2.5mm | 1 |
| 1071F | 3.0mm | 1 |
| 1069F | 3.2mm | 1 |
| 1072F | 4.0mm | 1 |
| 1073F | 6.0mm | 1 |
| 1074F | 8.0mm | 1 |

1/4"-28 Adaptors

- Inert Tefzel® or glass
- Autoclavable (Tefzel® only)
- Fit any 1/4"-28 UNF flat bottom ports

These adaptors will fit into 1/4"-28 UNF flat bottom ports in most Omnifit connectors and valves. The Tefzel® 1/4"-28 UNF male thread adaptors provide a quick, push-on connection for softwall tubing or luer. Adaptors to male and female Luer are available. The 1/4"-28 UNF male thread glass adaptors fit into any 1/4"-28 UNF flat bottom ports and are suitable for flame fusing onto other glassware.



| Part Number | Description | Pack Size |
|-------------|---|-----------|
| 1206 | Tefzel® Luer lock fitting with Polypropylene lock-ring | 1 |
| 2321 | PTFE plug for female luer | 2 |
| 2322 | PTFE plug for male luer | 2 |
| 2501 | Tefzel® male luer fitting | 1 |
| 2502 | Tefzel® female luer fitting | 1 |
| 2503 | Tefzel® 1/4" O.D. pipe connector | 1 |
| 2504 | Tefzel® 1/8" O.D. pipe connector | 1 |
| 2505 | Tefzel® 1/16" O.D. pipe connector with stainless steel tube | 1 |
| 2510 | 1/4" glass tubing with 1.5mm bore | 1 |

'Omnifit Cap' Adaptors

- Replaces the colored cap on any 'Omnifit Cap' connector or valve
- Push-on connection for softwall tubing
- Adaptors with luer fittings
- Autoclavable

These adaptors can replace the Omnifit cap on any 'Omnifit Cap' connector or valve to give either quick push-on connections for softwall tubing or luer connections. Cap-to-luer adaptors are available with male or female luer connections. Cap-to-pipe adaptors are available in Tefzel® or stainless steel to accept softwall tubing with the following internal diameters: 1/16", 1/8" and 1/4".

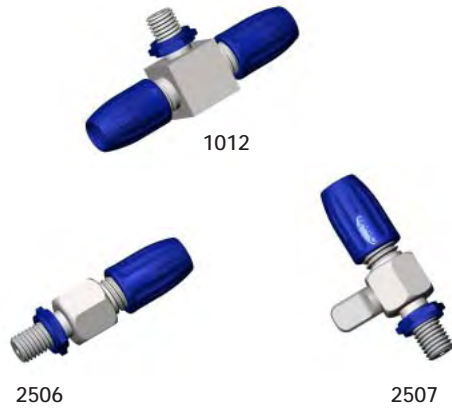


| Part Number | Description | Pack Size |
|-------------|---|-----------|
| 1201 | Tefzel® male luer fitting | 1 |
| 1202 | Tefzel® female luer fitting | 1 |
| 1203 | Tefzel® 1/4" O.D. pipe connector | 1 |
| 1204 | Tefzel® 1/8" O.D. pipe connector | 1 |
| 1205 | Tefzel® 1/16" O.D. pipe connector with a stainless steel tube | 1 |

Variable Bore Adaptors

- 50 psi pressure rating
- 1.5mm (.062") bore size
- Chemically inert all-PTFE body
- Polypropylene caps

Omnifit variable bore adaptors allow any size of tubing between 0.5 and 4mm O.D. to be connected to a 1/4"-28 UNF port via the 'Omnifit Cap'. The valved version has a Tefzel® rotor. Each adaptor has a male 1/4"-28 UNF thread that will fit any female 1/4"-28 UNF threaded port.



| Part Number | Description | Pack Size |
|-------------|---|-----------|
| 1012 | 3-way 'T' variable bore connector to male 1/4"-28 | 1 |
| 2506 | 1/4"-28 to variable bore | 1 |
| 2507 | 1/4"-28 to variable bore with valve | 1 |

Couplings

- Excellent chemical resistance
- Polypropylene, PEEK™ or Tefzel®
- Convert different thread sizes

Omnifit threaded couplings are a useful range of 'problem solving' parts that enable you to convert thread sizes quickly and easily.

Omnifit couplings are available that accept a 1/4"-28 UNF male fitting at one end and convert this to a range of male and female thread types including: 1/4"-28 UNF female, 10-32 female, 3/8" NPT male, 1/8" NPT male, 1/8" BSPT male and M6.



| Part Number | Description | Pack Size |
|-------------|---|-----------|
| 2301 | Polypropylene two-way coupling | 1 |
| 2302 | Tefzel® two-way coupling | 1 |
| 2306 | PEEK™, 1/4"-28 Female to 10-32 Female | 1 |
| 2352 | PEEK™, 1/4"-28 Female to M6 Male | 1 |
| 2354 | PEEK™, 1/4"-28 Female to 1/8" NPT Male | 1 |
| 2356 | PEEK™, 1/4"-28 Female to 3/8" NPT Male | 1 |
| 2357 | PEEK™, 1/4"-28 Female to 1/8" BSPT Male | 1 |

Trademarks:

PEEK™ is a trademark of Victrex plc
Tefzel® is a registered trademark of E. I. du Pont de Nemours and Company

Rev. 0205

HROMalytic www.chromtech.net.au sales@chromtech.net.au
 ABN 14 643 445 058 **PTY LTD** Tel: (03) 9762 2034 Fax: +61 3 9761 1169
 Australian Distributors: **TECH**nology . . . for ALL Your chromatography supplies !



Adaptors & Couplings



Inside.....

- Barbed Adaptors..... 2*
- Male 2*
- Female 2*
- 1/4"-28 Adaptors 3*
- 'Omnifit Cap' Adaptors 3*
- Variable Bore Adaptors 4*
- Couplings 4*

Chemically inert adaptors and couplings for a variety of thread sizes and tubing types

- Luer, 1/4"-28, barbed and 'Omnifit Cap' connection types
- Excellent chemical resistance
- Versions for hardwall and softwall tubing
- Custom designs available for OEM applications

Barbed Adaptors

Omnifit barbed adaptors are designed for use with soft wall tubing. They are machined rather than moulded and this gives a superior barb to retain soft wall tubing.

1/4"-28 Adaptors

These 1/4"-28 UNF male thread adaptors fit into any 1/4"-28 UNF flat bottom port, as used in most Omnifit valves and connectors, giving quick, push-on connections for softwall tubing. Glass adaptors and adaptors to male and female luer are also available. The glass 1/4"-28 UNF adaptor can be fused to other laboratory glassware to give a convenient threaded connection.

'Omnifit Cap' Adaptors

Cap adaptors replace the coloured cap on any of Omnifit's small variable bore connectors and valves to give either quick push-on connections for softwall tubing or luer connections.

Variable Bore Adaptors

Adaptors to fit 1/4"-28 female ports and adapt to 'Omnifit Cap' connections.

Couplings

Omnifit threaded couplings are a useful range of 'problem solving' parts that enable you to convert thread sizes quickly and easily. Omnifit couplings are available that accept a 1/4"-28 UNF male fitting at one end and convert this to a range of male and female thread types: 1/4"-28 UNF female, 10-32 female, 3/8" NPT male, 1/8" NPT male, M6, or 1/8" BSPT male.