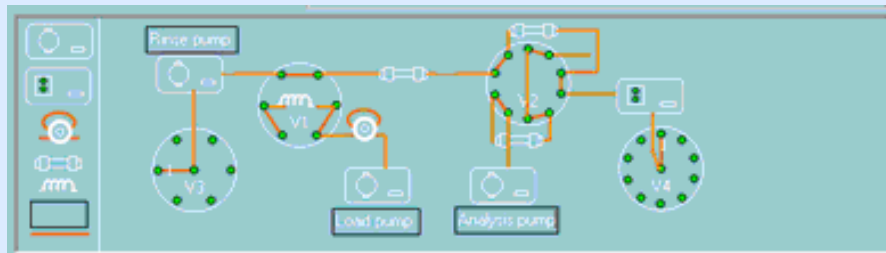


PC Technologies 2008



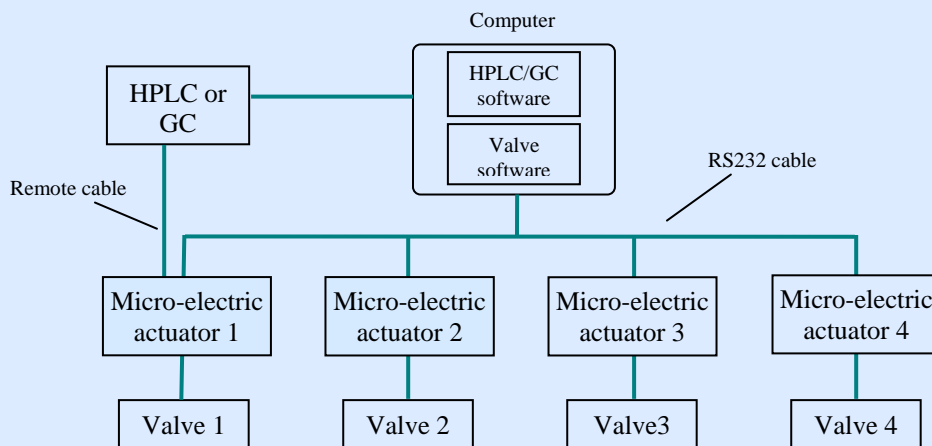
HRMalytic Chromatography Products '08
ECHnology
Australian Distributors
www.chromtech.net.au E-mail : info@chromtech.net.au Tel : +61 3 9762 2034 Fax : +61 3 9761 1169

Control Software for Valco Valves



1. Working principle

The valve control software is designed to interface with Valco (VICI) GC valves and HPLC valves. It can control up to four 2-position and multi position valves with micro-electric actuators. The following diagram shows how the software works with the valves.



The valve control software communicates with the micro-electric actuators of the valves via RS232 communication. When HPLC or GC starts a run, the remote cable will pass the signal to one of the micro-electric actuator. The information will then be received by the valve software. It will start a method accordingly. The software is compatible with any HPLC or GC that has a TTL output or a contact closure output. Examples of HPLC and GC with TTL output are the 1100 LC, 1200 LC and 6890 GC from Agilent Technologies. Among the HPLC with contact closures are those from Waters and Shimadzu.

2. Features

The most outstanding feature of the valve control software is its editable valve diagram and real time display of the flow path. It simplifies the method development work and makes the valve application method easy to understand. Below are the major features.

2.1 Editable valve diagram

A graphical tool box for drawing the diagram is included. Users can build the instrument diagram according to actual valve connections. The software will memorize the drawing permanently. It helps to turn a normal HPLC or GC into a special analyzer.

2.2 Real time display flow path

The software monitors the status of valves continuously. Whenever a valve is switched, the flow path diagram will be updated.

2.3 Help tools for method development

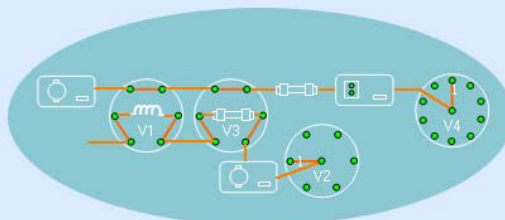
A simulation function is included. Users can do stepwise operation of a method and observe the change of the flow path. For each step of a method, a remark can be added to explain the purpose of the line. It makes the method easy to understand.

2.4 Multiple control approaches

The valves can be controlled by 4 approaches: 1) switch by a mouse click at the valve icons; 2) switch by HPLC or GC using contact closures; 3) switch using methods; 4) switch using sequences.

2.5 Flexible configuration

The software is offered as 1, 2 or 4 valve configurations at different prices. Users can choose a suitable product according to their applications. The software for 1 and 2 valves can be upgraded when it is necessary.



Time (min)	V1	V2	V3	V4	Remarks
0.01	2				test
0.03	1				load
0.05	2				
0.06	1				
0.07	2				
0.08	1				

Valve is connected to RS232 port 1.

2.6 Easy installation

The software will search for the valves and get the valve types automatically. It will also set the parameters for computer RS232 communication. There is no manual setting involved.

3. Order

Part number	Description	Price (US\$)
VS-01	Software for single valve	400.00
VS-02	Software for two valves	600.00
VS-04	Software for four valves	900.00
VS-05	Upgrade to software for four valves	500.00
VS-RS1	RS232 cable for single valve	9.00
VS-RS2	RS232 cable for multiple valves	30.00
VS-USB	USB/RS232 converter	15.00

Notes:

- 1) For more information regarding the Valco valves, please visit the website www.vici.ch.
- 2) The price does not include shipping and handling.
- 3) Each software product is licensed for installation on one computer.