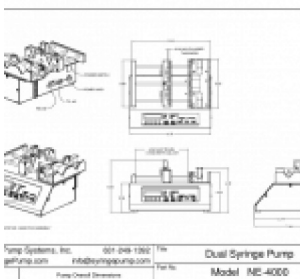


Pump Drawings

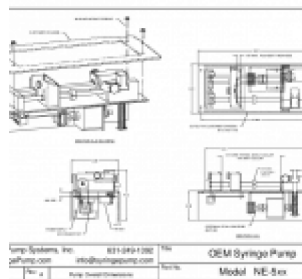
Home » Pump Drawings



NE-4000 Two Channel Syringe Pump Chassis

A pdf containing a CAD drawing of the NE-4000 Syringe Pump - chassis showing the dimensions of the device. Very useful for those who are designing enclosures or apparatus layouts.

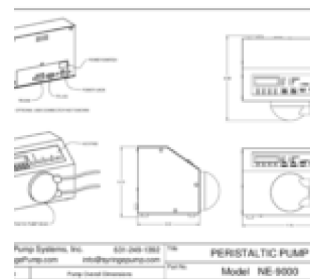
[Download Now](#)



NE-5xx OEM Syringe Pump Chassis

A pdf containing a CAD drawing of the NE-5xx OEM Syringe Pump - chassis showing the dimensions of the device. Very useful for those who are designing enclosures or apparatus layouts.

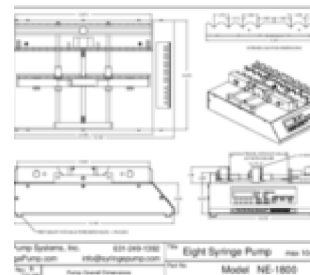
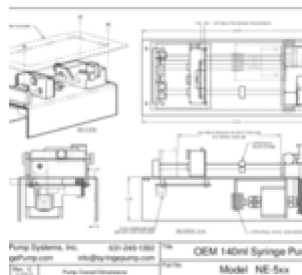
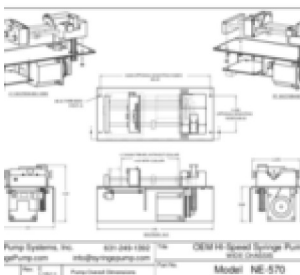
[Download Now](#)



NE-9000 Drawing - Chassis

A pdf containing a CAD drawing of the NE-9000 peristaltic pump chassis, showing the dimensions of the device. Very useful for those who are designing enclosures or apparatus layouts.

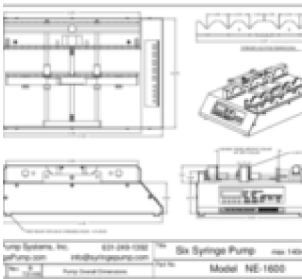
[Download Now](#)



NE-570 OEM High-Speed Pump Wide Chassis

A pdf containing a CAD drawing of the NE-570 OEM syringe pump chassis, showing the dimensions of the device. Very useful for those who are designing enclosures or apparatus layouts. Wide Chassis

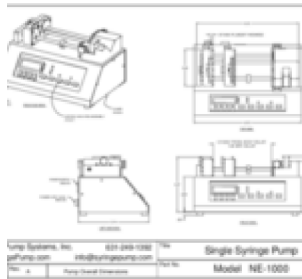
[Download Now](#)



NE-5xxL OEM 140ml Syringe Pump Wide Chassis

A pdf containing a CAD drawing of the NE-5xxL OEM 140ml Syringe Pump chassis, showing the dimensions of the device. Very useful for those who are designing enclosures or apparatus layouts. Wide Chassis

[Download Now](#)



NE-1800 Eight Syringe Pump

A pdf containing a CAD drawing of the NE-1800 Syringe Pump chassis, showing the dimensions of the device. Very useful for those who are designing enclosures or apparatus layouts. Wide Chassis

[Download Now](#)

NE-1600 Six Syringe Pump

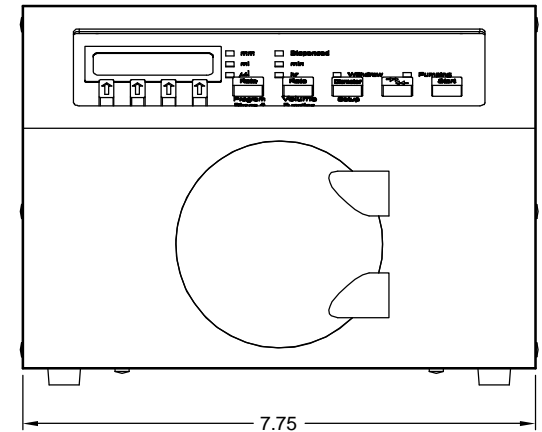
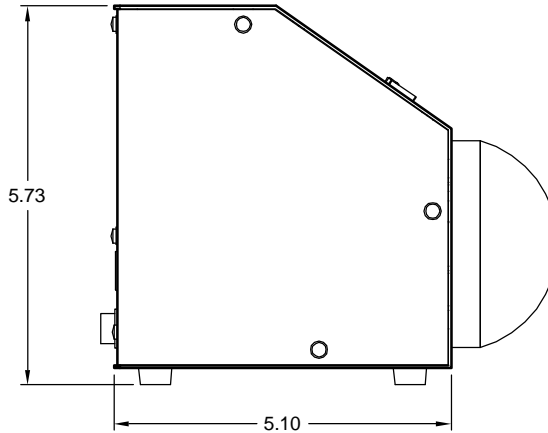
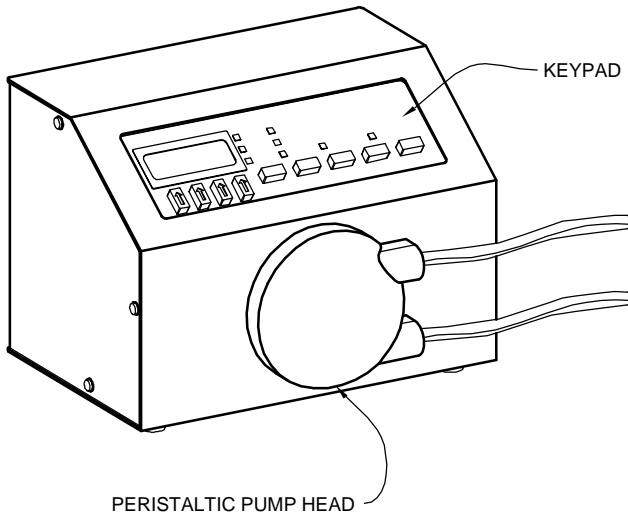
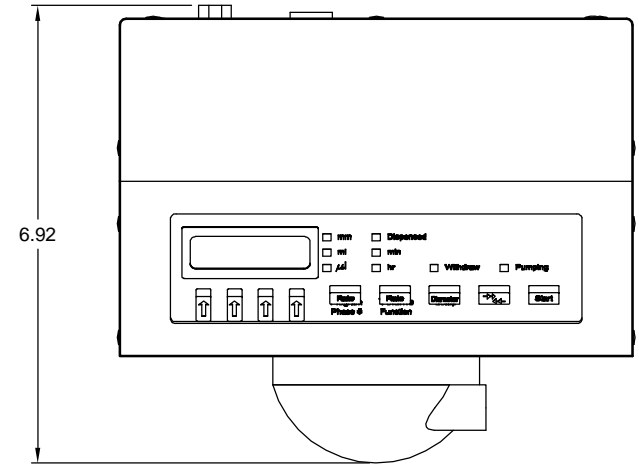
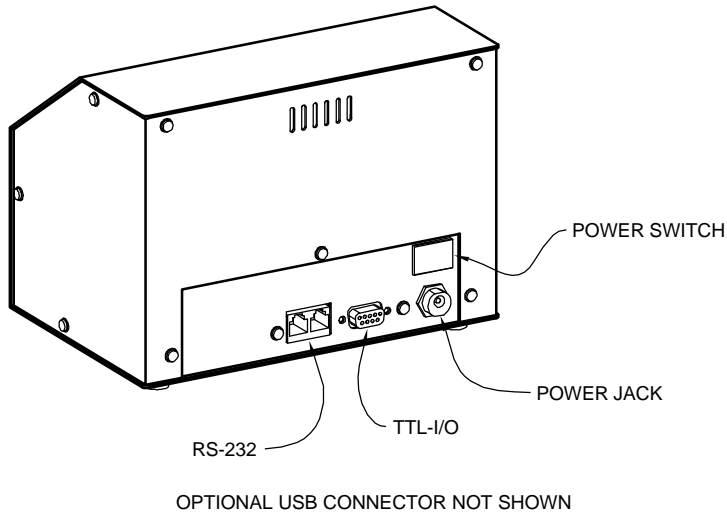
This is the NE-1600 - chassis showing the dimensions of the device. Very useful for those who are designing enclosures or apparatus layouts.

[Download Now](#)

NE-1000 Single Syringe Pump

A pdf containing a CAD drawing of the NE-1000 Syringe Pump chassis, showing the dimensions of the device. Very useful for those who are designing enclosures or apparatus layouts. Wide Chassis

[Download Now](#)

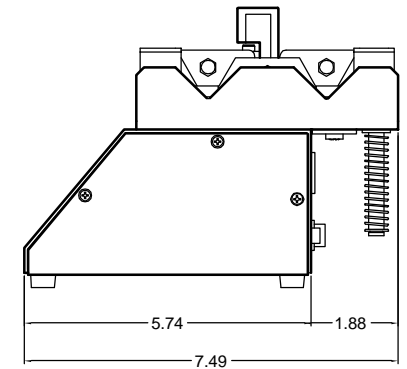
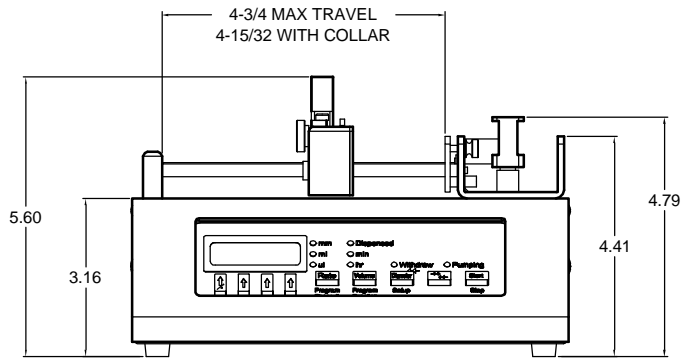
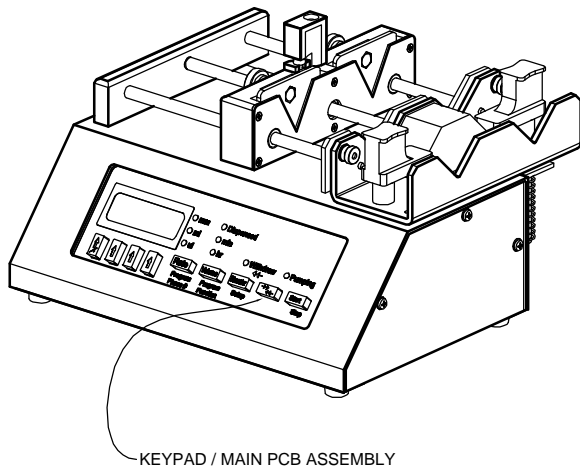
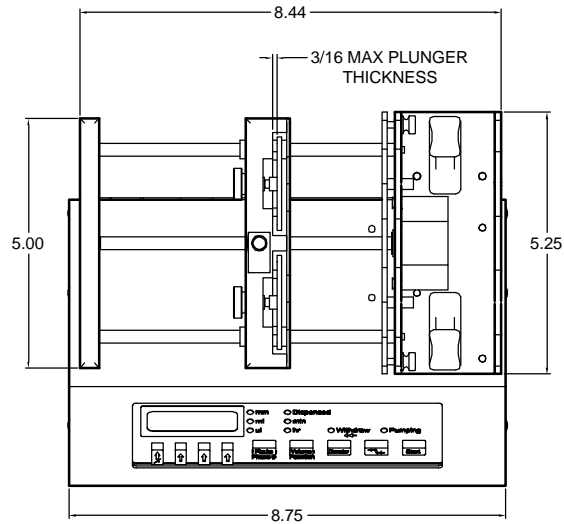
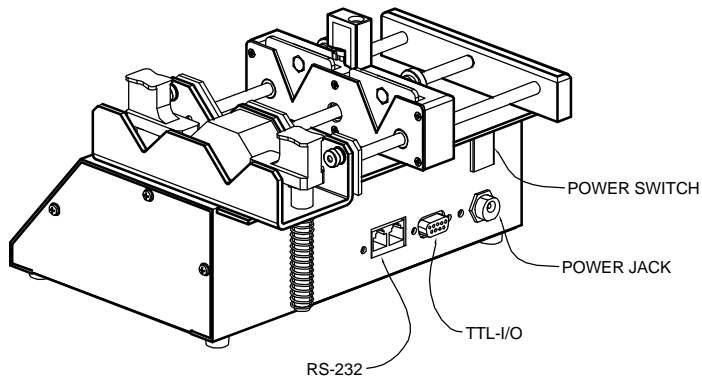


New Era Pump Systems, Inc. 631-249-1392
 www.SyringePump.com info@syringepump.com

Title **PERISTALTIC PUMP**

Date 12/2/10 Pump Overall Dimensions

Part No. **Model NE-9000**

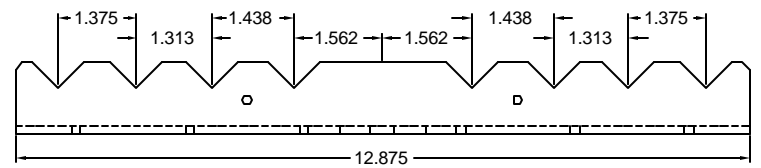
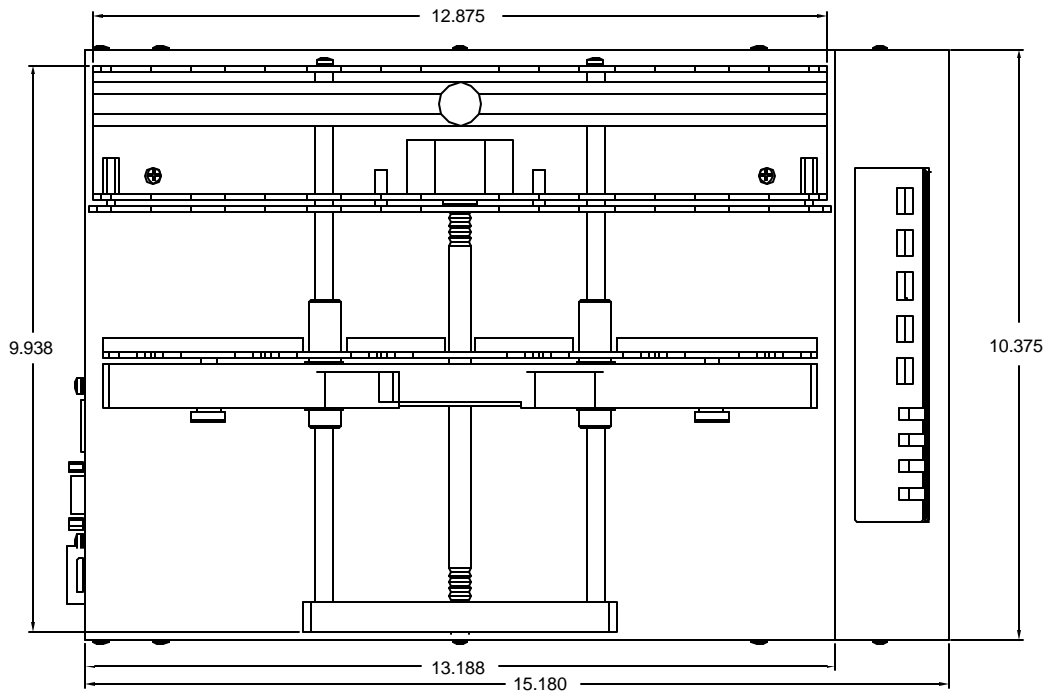


New Era Pump Systems, Inc. 631-249-1392
www.SyringePump.com info@syringepump.com

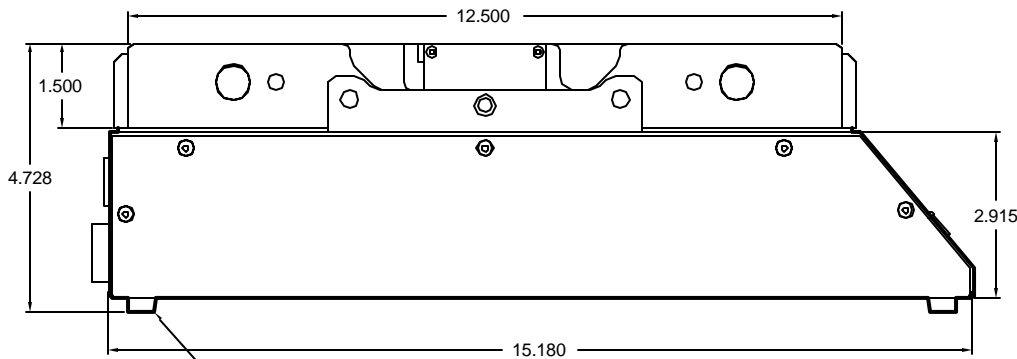
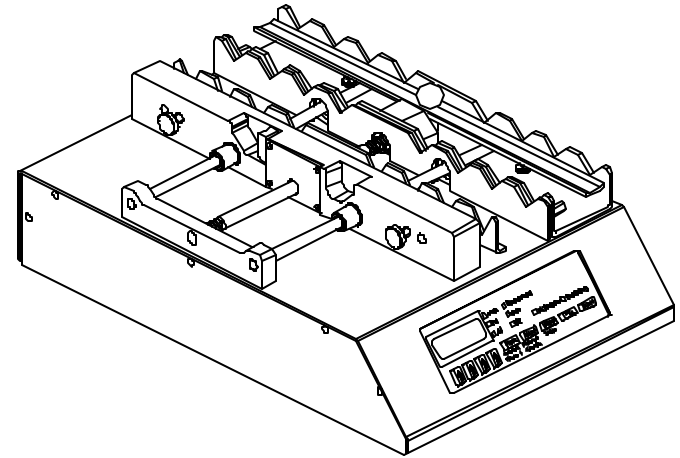
Title Dual Syringe Pump

Date 3/9/09 Pump Overall Dimensions

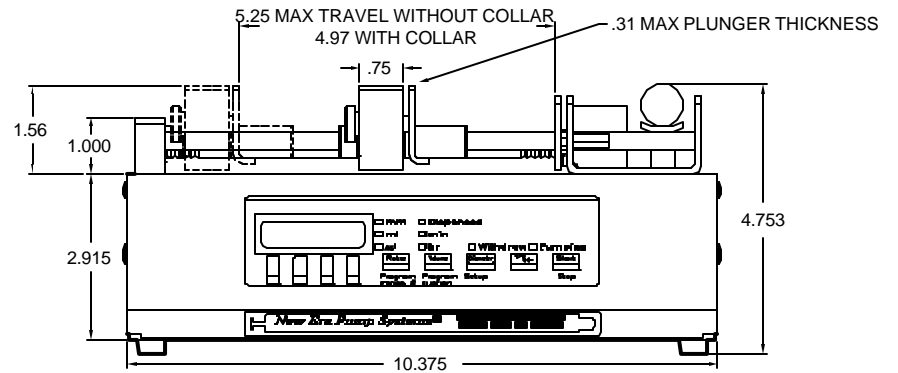
Part No. Model NE-4000



SYRINGE LOCATION DIMENSIONS



FEET MOUNT INTO #6-32 THREADED HOLES - 4 PLACES

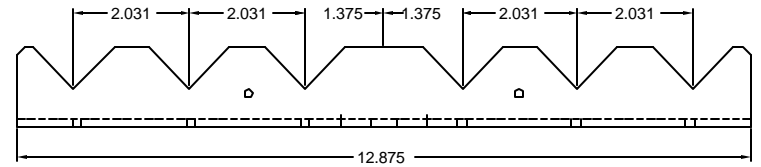
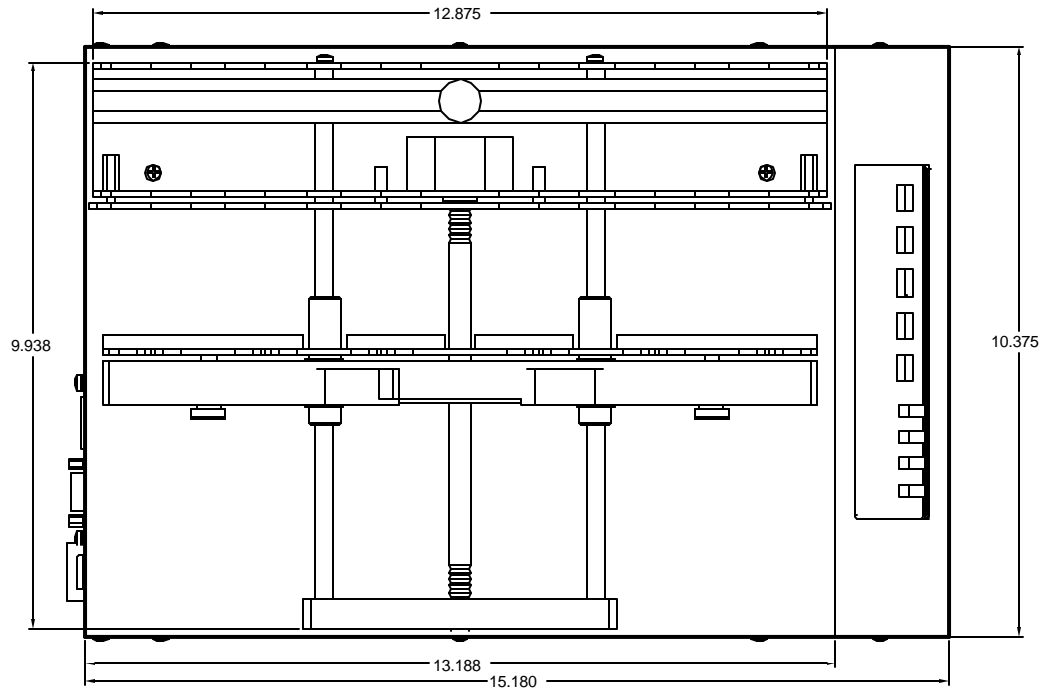


New Era Pump Systems, Inc. 631-249-1392
 www.SyringePump.com info@syringepump.com

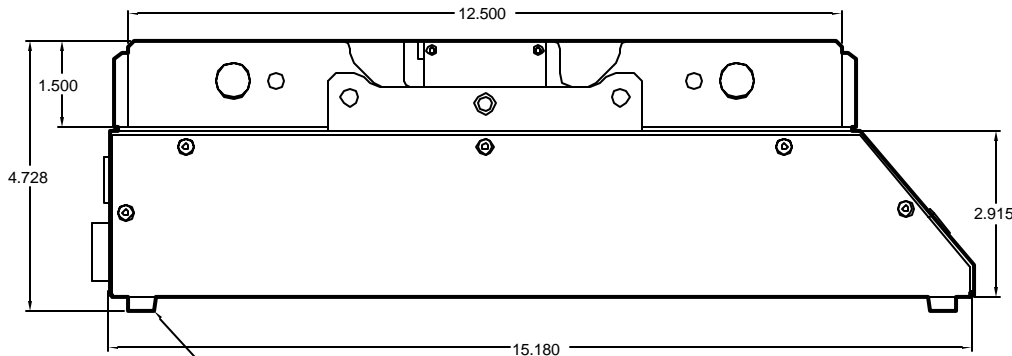
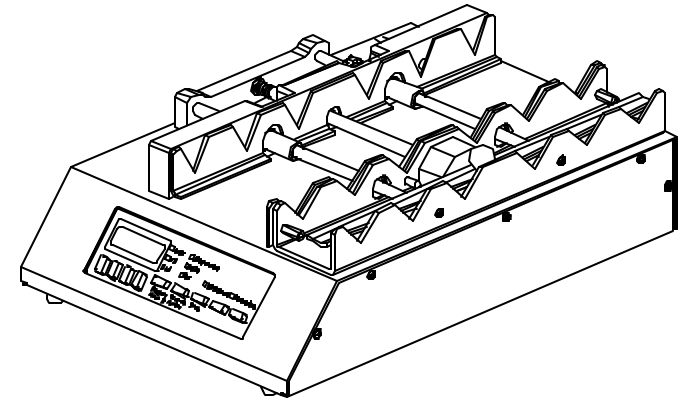
Title **Eight Syringe Pump** max 10ml Syringes

Date 4/3/08 Rev. B 7/21/08 Pump Overall Dimensions

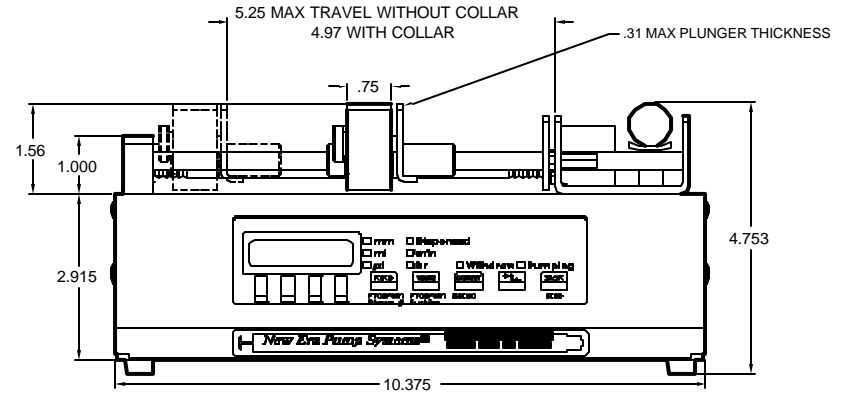
Part No. **Model NE-1800**



SYRINGE LOCATION DIMENSIONS



FEET MOUNT INTO #6-32 THREADED HOLES - 4 PLACES



New Era Pump Systems, Inc.
www.SyringePump.com

631-249-1392
info@syringepump.com

Title

Six Syringe Pump

max 140ml Syringes

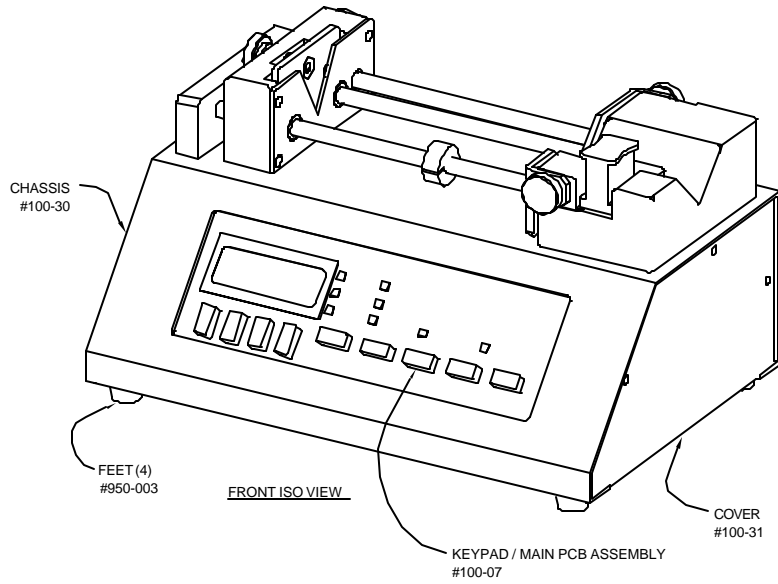
Part No.

Model NE-1600

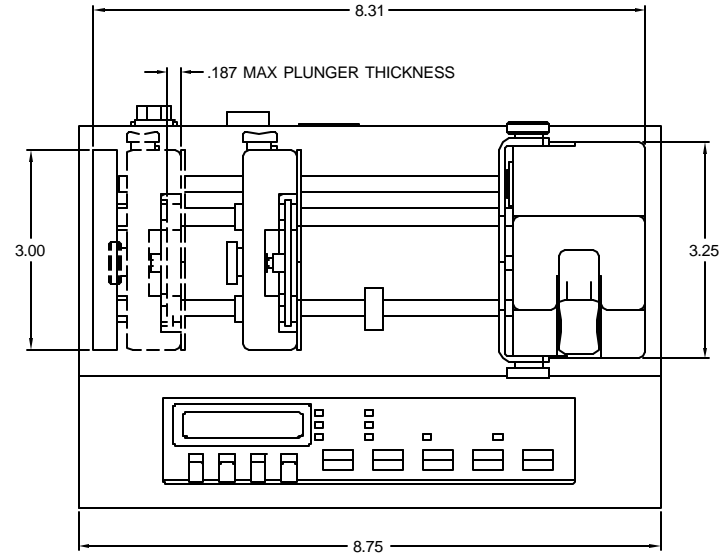
Date 4/2/08

Rev. B
7/21/08

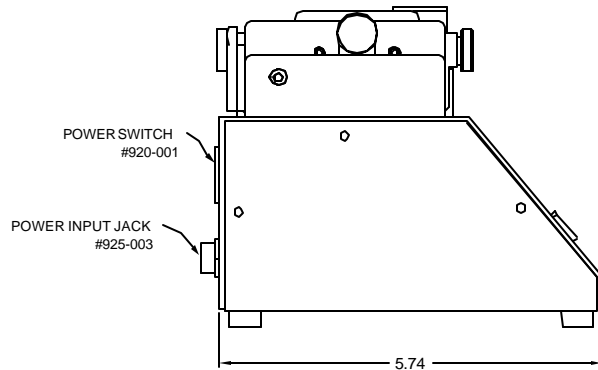
Pump Overall Dimensions



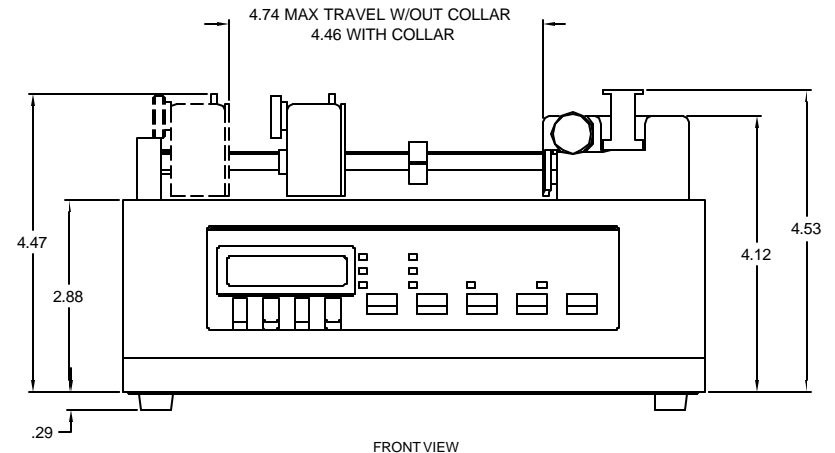
FRONT ISO VIEW



TOP VIEW



LEFT SIDE VIEW



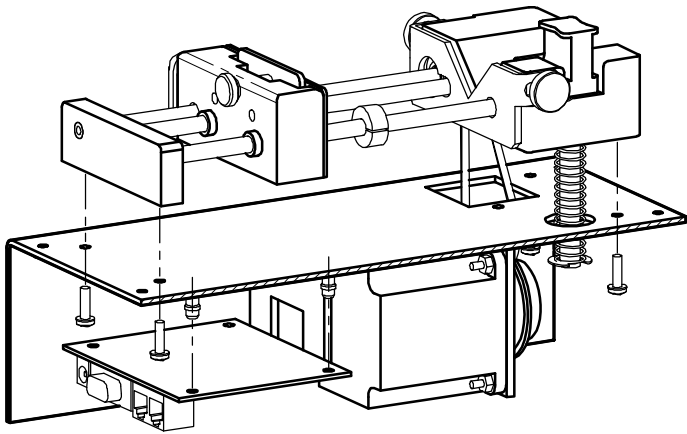
FRONT VIEW

New Era Pump Systems, Inc. 631-249-1392
 www.SyringePump.com info@syringepump.com

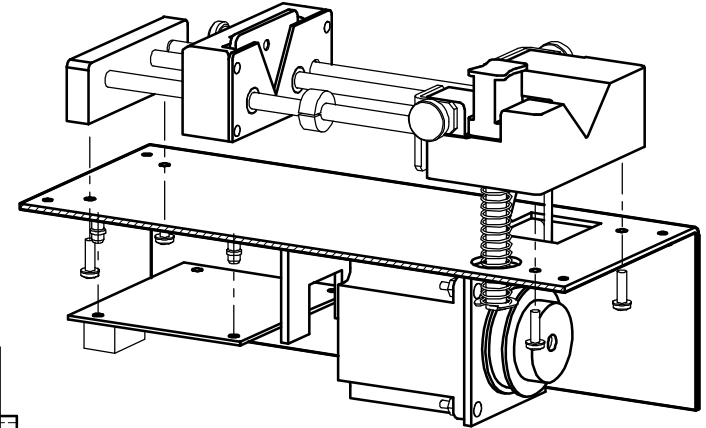
Title **Single Syringe Pump**

Date 5/8/08 Rev. A Pump Overall Dimensions

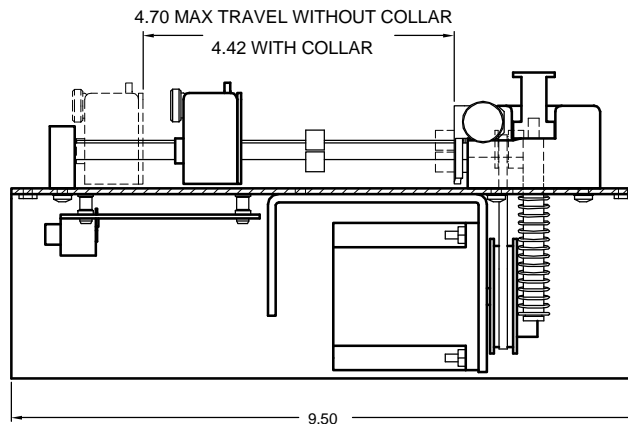
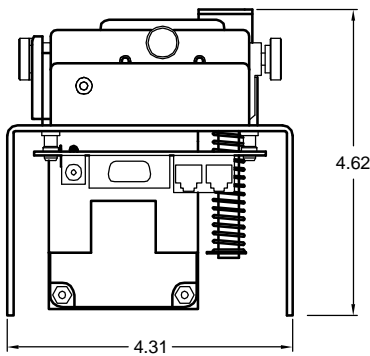
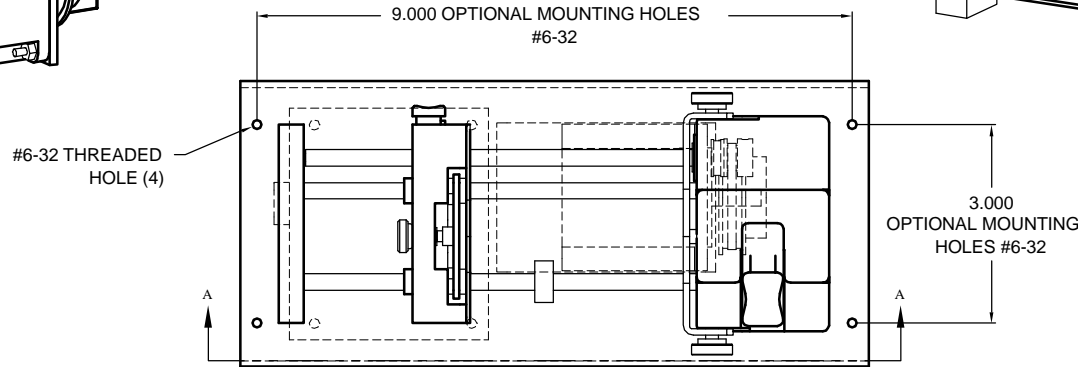
Part No. **Model NE-1000**



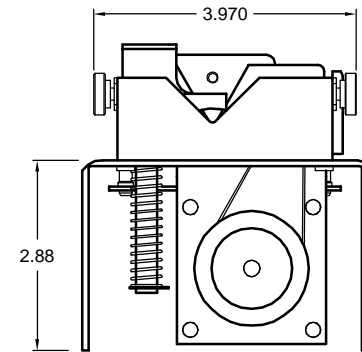
LT. SECTION ISO VIEW



RT. SECTION ISO VIEW



SECTION 'A-A'



New Era Pump Systems, Inc.
www.SyringePump.com

631-249-1392
info@syringepump.com

Title

OEM HI-Speed Syringe Pump
WIDE CHASSIS

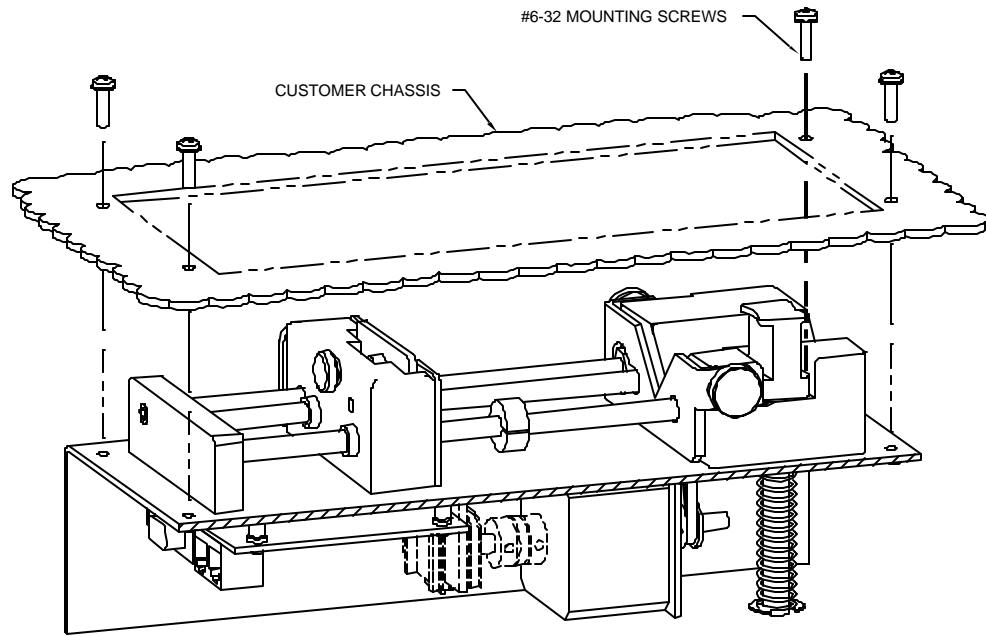
Date 4/7/08

Rev. C
1/15/11

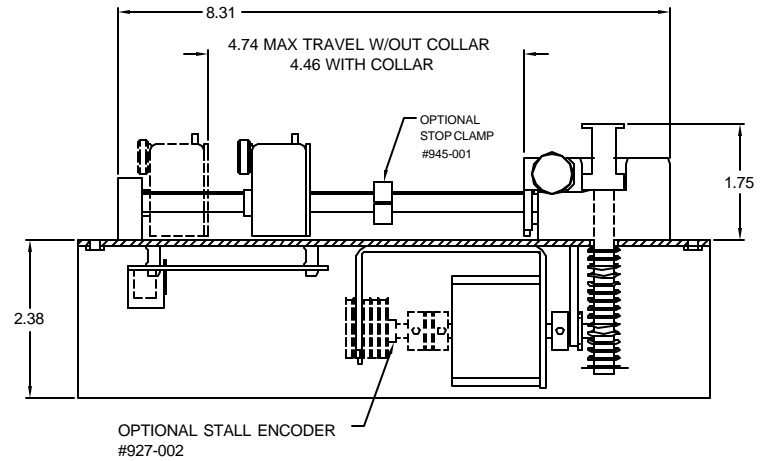
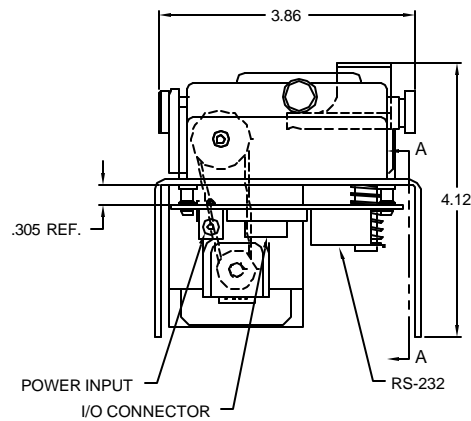
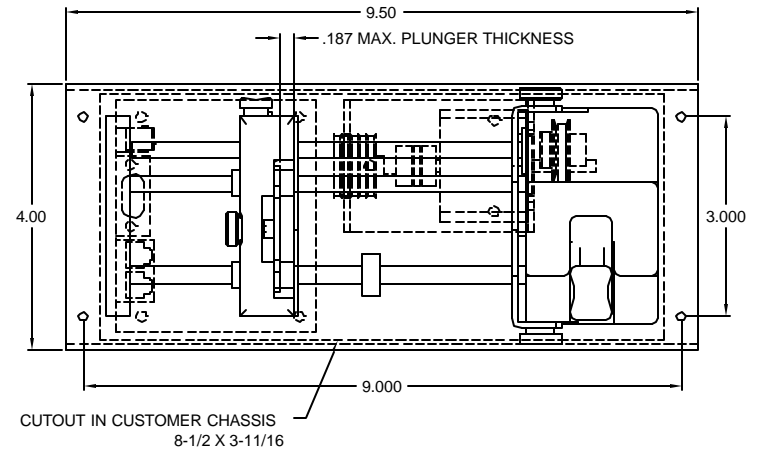
Pump Overall Dimensions

Part No.

Model NE-570



SECTION 'A-A' ISO VIEW



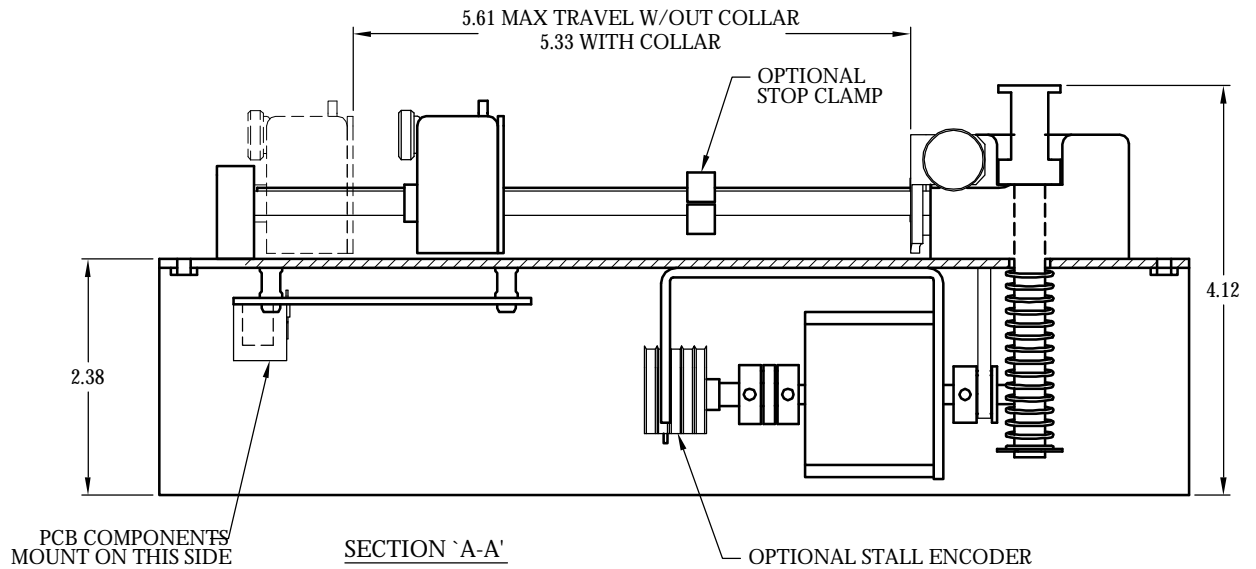
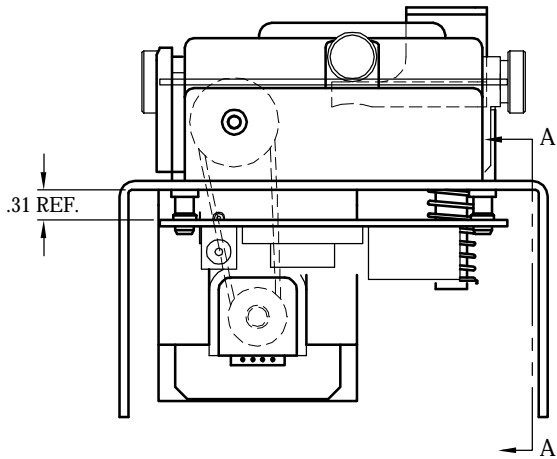
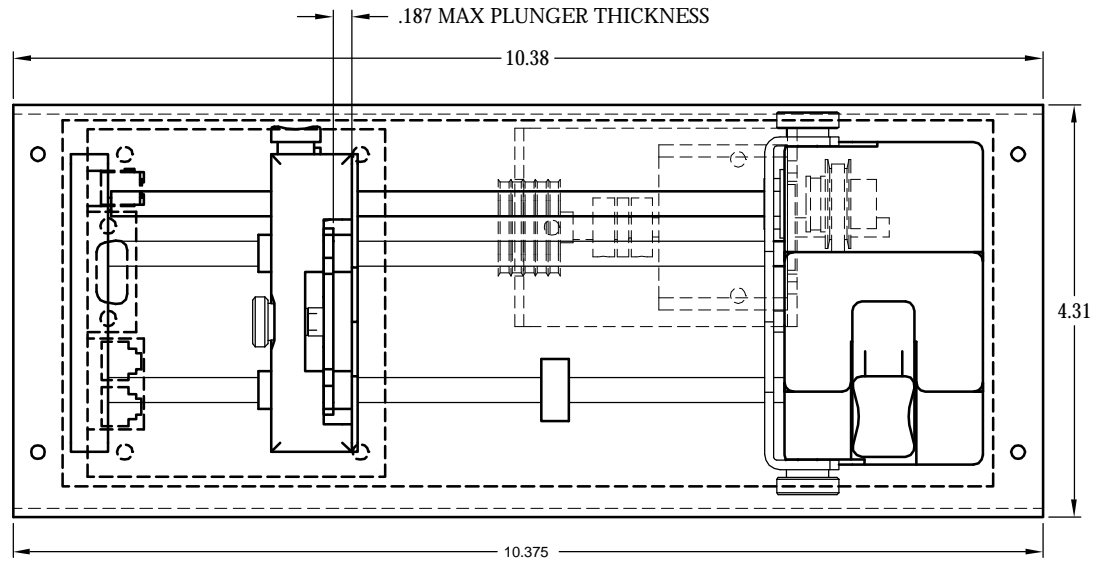
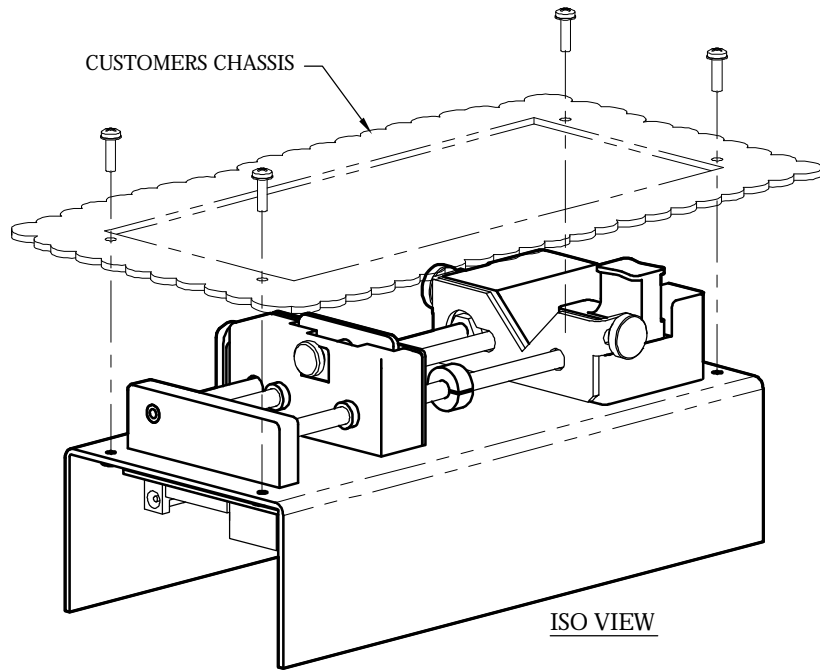
SECTION 'A-A'

New Era Pump Systems, Inc. 631-249-1392
 www.SyringePump.com info@syringepump.com

Title OEM Syringe Pump

Date 5/7/08 Rev. A Pump Overall Dimensions

Part No. Model NE-5xx



New Era Pump Systems, Inc. 631-249-1392
 www.SyringePump.com info@syringepump.com

Title OEM 140ml Syringe Pump

Date 4/8/08 Rev. C 1/13/11 Pump Overall Dimensions

Part No. Model NE-5xx

Take control of your pumps!

Search 

- [Home](#)
- [Quick Tour](#)
- [Compatible Pumps](#)
- [Pump Manufacturers](#)
- [Contact Us](#)
- [Who's Using SyringePumpPro?](#)
- [Testimonials](#)
- [About](#)
- [Blog](#)
- [Papers Citing SyringePumpPro](#)

- [Shop](#)
- [Pricing](#)
- [Free Trial](#)
- [Find a Distributor](#)
- [Pump Programming Service](#)
- [Used Pumps](#)
- [Login](#)

- [Pumps](#)
- [Connectivity](#)
- [Cables](#)
- [Programming](#)
- [Applications](#)
- [Licensing](#)
- [Pump Drawings](#)
- [Pump Manuals](#)
- [Rates and Specifications](#)

- [How to Find Your Machine ID](#)
- [Save time and money by buying the correct license](#)
- [V1 File Permissions in Restrictive Environments](#)
- [V1 License Key Installation Instructions](#)
- [Target computer has no internet connection](#)

© Copyright 2018 SyringePumpPro | All Rights Reserved | [Terms of Use](#) | [Privacy Policy](#)

