

Superpure™

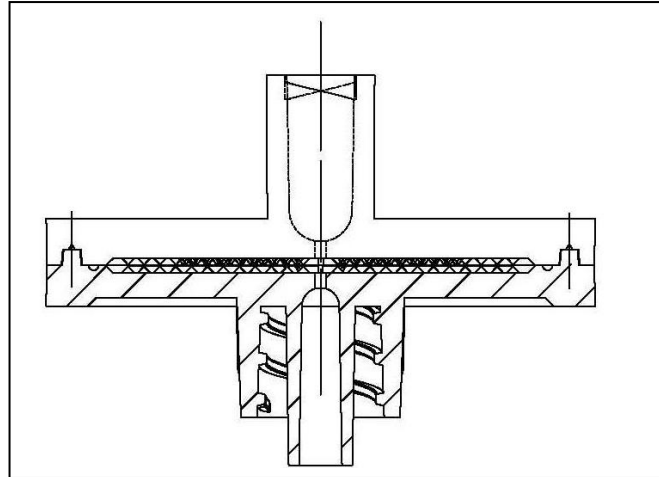
5 Improvements, SAME LOW PRICE, 5 Days Delivery

New range of HPLC 17mm, 30mm Syringe Filters

The Superpure 17 mm and Superpure 30 mm syringe filters manufactured by Membrane Solutions are designed to speed up and increase sample volume throughput while reducing thumb pressure. The 17 mm and 30 mm sizes, replacing the 13 mm and 25 mm sizes, offer far more value to researchers due to several new features.

They will be available with one of the following membranes in 0.22 µm or 0.45 µm pore size: Nylon66 , MCE, PTFE, PES and PVDF. These filters should mainly be used for small sample volumes where the dead volume should be kept to a minimum.

New Filter Design Drawing



Improved Performance Benefits:

Feature	Benefit
Color coding	Easier to tell the filter membrane
Larger filtration areas (bigger than 33mm)	Increased sample throughput
Female lure lock	Can be used as the venting filter
High resolutions print	Easier to tell the pore size of filter
Better membrane media	Improved membrane flow rates

This table offers general guidelines for membrane characteristics and compatible applications.

Membrane Type	Membrane Characteristics	Applications
Nylon66	Most frequently selected membrane; broad compatibility with aqueous and organic samples; naturally hydrophilic membrane; extremely low in extractables; excellent flow rate with most sample matrices; not compatible with strong acids or bases	General laboratory filtration; filtration for most HPLC samples. NOTE: Nylon binds protein, do not use when high protein recovery is desired
Polyethersulfone	High flow rates with good throughput volume; low protein binding; compatible with high temperature liquids; mechanically strong membrane low in inorganic extractable ions	PES is certified for Ion Chromatography; Tissue Culture filtration; filtration of proteins and nucleic acids
PTFE	Hydrophobic membrane is resistant to nearly all solvents, acids, and bases; membrane is mechanically strong and will withstand exposure to high temperature liquids; low in extractables; PTFE blocks water vapor; can be used to filter aqueous solutions	Filtration of aggressive organic, highly basic or hot solutions, ideal for transducer protectors
Hydrophilic PTFE	Hydrophilic PTFE is especially useful in HPLC sample preparation and is highly resistant to most solvents. And it's generally used for aqueous-based biological samples.	Filtration of aggressive organic, highly basic or hot solutions, ideal for aqueous filtration
MCE	Ideal for aqueous-based samples; high protein recovery from filtrate; higher tensile strength compared to CA	Aqueous sample preparation
PVDF	High protein binding, Hydrophobic membrane is resistant to nearly most solvents acid and bases.	Filtration of aggressive organic



Order Information

Part No.	Pore Size(μm)	Membrane	Diameter	Package
SFNY017022N	0.22	Nylon66	17mm,	100/pk
SFNY017045N	0.45	Nylon66	17mm,	100/pk
SFNY030022N	0.22	Nylon66	30mm,	100/pk
SFNY030045N	0.45	Nylon66	30mm,	100/pk
SFPES017022N	0.22	PES	17mm,	100/pk
SFPES017045N	0.45	PES	17mm,	100/pk
SFPES030022N	0.22	PES	30mm,	100/pk
SFPES030045N	0.45	PES	30mm,	100/pk
SFMCE017022N	0.22	MCE	17mm,	100/pk
SFMCE017045N	0.45	MCE	17mm,	100/pk
SFMCE030022N	0.22	MCE	30mm,	100/pk
SFMCE030045N	0.45	MCE	30mm,	100/pk
SFPTFE017022NB	0.22	PTFE	17mm,	100/pk
SFPTFE017045NB	0.45	PTFE	17mm,	100/pk
SFPTFE030022NB	0.22	PTFE	30mm,	100/pk
SFPTFE030045NB	0.45	PTFE	30mm,	100/pk
SFPVDF017022N	0.22	PVDF	17mm,	100/pk
SFPVDF017045N	0.45	PVDF	17mm,	100/pk
SFPVDF030022N	0.22	PVDF	30mm,	100/pk
SFPVDF030045N	0.45	PVDF	30mm,	100/pk