

Pulse Speed Display & Controller

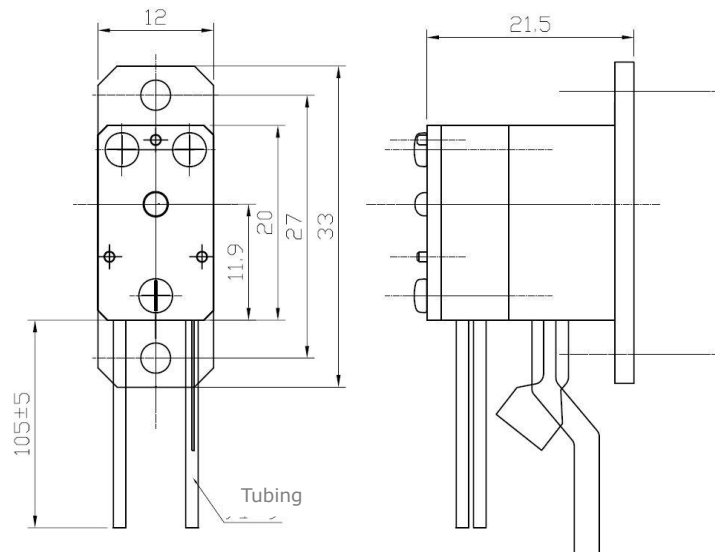
Features

- The world's lowest level of flow for a peristaltic pump on the market: 0.1 ~ 40 $\mu\text{l}/\text{min}$
- A replaceable pump head, which includes tubing.
- Compact size: Dimensions of 33 × 12 × 21.5 mm
- An easy-to-use controller is available upon request. (Sold separately)

Specifications

Flow Rate	0.1 ~ 40 $\mu\text{l}/\text{min}$ $\pm 15\%$ (Water at 25 °C, Pulse speed: 3 ~ 1000 pps)
Tubing Material	Silicone or Olefine (I.D. 0.5 mm)
Pump Pressure	30 kPa or more
Motor	Stepper motor
Rated Voltage	3 VDC

Dimension:



Note: Specifications etc. may be changed at any time without notice.
This is a product of Aquatech Co., Ltd. Ring Pump