



Valco® stainless nuts

UHPLC

- Excellent fit to Valco fitting details
- Different lengths available
- For 1/32", 1/16", and 1/8" OD tubing

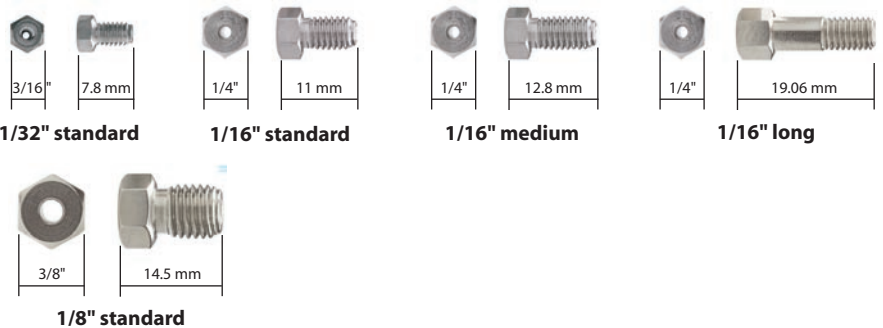
These nuts are for use with all standard Valco internal fittings and most valves. They may be used with fittings from other manufacturers as well. The medium and long types are ideal for metal Valco and Cheminert valves with more than 8 ports, or where the fitting head may be otherwise inaccessible.

Sold in packages of 5.

Tubing OD	Length	Product No.
1/32"	Standard	JR-ZN.5-5
1/16"	Standard	JR-ZN1-5
	Medium	JR-MZN1-5
	Long	JR-LZN1-5
1/8"	Standard	JR-ZN2-5

SPECS

- For 1/32", 1/16", and 1/8" OD tubing
- Material: Type 303 SS
- Threads: 1/32": 6-40, 1/16": 10-32, 1/8": 5/16-24
- Pressure rating with premium SS tubing and ZF1S6 ferrule: 1375 bar (20,000 psi)



Rheodyne® compatible stainless nuts

- Excellent fit to Rheodyne fitting details
- Different lengths available
- For 1/16" OD tubing

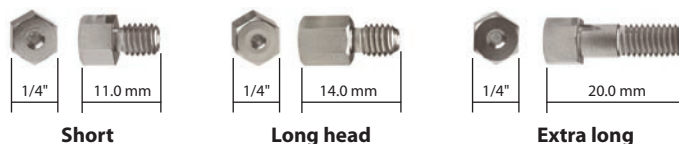
These nuts are for use with metal Rheodyne valves. Three different length nuts are available, in order to accommodate any possible connecting situation. The standard nut is suitable for easily accessible connections (couplers, detectors, columns, etc.) For very tight and difficult to reach areas, we recommend the long and extra long nut.

Sold in packages of 5.

Tubing OD	Length	Product No.
1/16"	Short	JR-56-5
	Long head	JR-57-5
	Extra long	JR-58-5

SPECS

- For 1/16" OD tubing
- Material: Type 316 SS
- Threads: 10-32
- Pressure rating: <500 bar (7,250 psi) (Varies with tubing material and ID)



TECH TIP

Using nuts with different lengths will create more space, for better wrench access.

MORE INFORMATION

About stainless steel... 100

RELATED PRODUCTS

- Ferrules
- Rheodyne 32
- Valco 32
- Stainless steel starter kit 90
- Stainless tubing 14-15
- ValvTool for tightening hex-head fittings 88
- Color-It fingertight adapters 17

