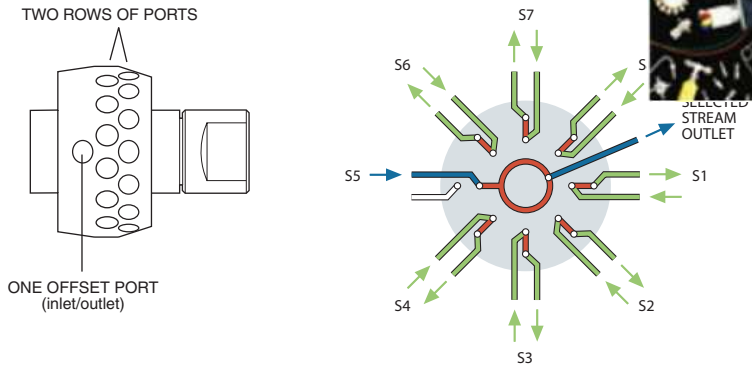




Flow-through flowpath – SF configuration

SD and SC valves select and isolate one of 4 to 16 streams, with the remainder dead-ended in the SD and flowing to a common outlet in the SC. The SF selector is similar, but carries the evolution a step further with the non-selected streams flowing through individual outlets. For an application suggestion, see page 136.



1/16" fittings, 1.0 mm ports (.040")

MW Type

Low pressure

SF Flow-through

1/16" 1.0 mm

Includes 2" standoff. Ask about closemount assembly if valve will not be heated.

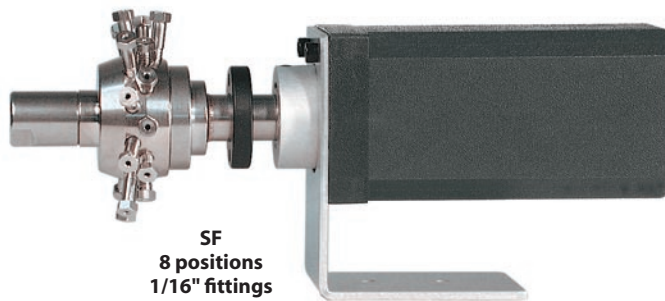
Standard electric actuators:
 110 VAC for USA
 110/230 VAC to 24 VDC power supply for international
 Microelectric actuators:
 24 VDC (includes a 110/230 VAC to 24 VDC power supply)

SPECS
200 psi gas
200°C max
 Nitronic 60 body
 Valcon E rotor

OPTIONS

- 4 and 8 positions available
- 3", 4", and 6" standoffs
- Materials: Hastelloy C, Inconel 600, Monel 400, Nickel 200, Nitronic 50, Titanium (see pages 254-255)

	6 Position		10 Position		12 Position		16 Position	
	Prod No	Price	Prod No	Price	Prod No	Price	Prod No	Price
Manual (not recommended)	2CSF6MWE		2CSF10MWE		2CSF12MWE		2CSF16MWE	
With air actuator	A2CSF6MWE		A2CSF10MWE		A2CSF12MWE		A2CSF16MWE	
With standard electric actuator	E2CSF6MWE		E2CSF10MWE		E2CSF12MWE		E2CSF16MWE	
With microelectric actuator	EMT2CSF6MWE		EMT2CSF10MWE		EMT2CSF12MWE		EMT2CSF16MWE	
Replacement valve	DCSF6MWE		DCSF10MWE		DCSF12MWE		DCSF16MWE	
Replacement rotor	SSACSF6MWE		SSACSF10MWE		SSACSF12MWE		SSACSF16MWE	



MORE INFORMATION

Application..... page 136

Actuators

- Air194
- Microelectric .. 190-191
- Standard elec.....193

Materials

- Metals..... 254-255
- Polymers256
- Valve rotors.....257

Mounting hardware

- Closemount208
- Standoff.....205

1/8" fittings, 1.0 mm ports (.040")

MW Type

SPECS
 200 psi gas
 200°C max
 Nitronic 60 body
 Valcon E rotor

Includes 2" standoff.
 Ask about closemount assembly if valve will not be heated.

Standard electric actuators:
 110 VAC for USA
 110/230 VAC to 24 VDC power supply for international
 Microelectric actuators:
 24 VDC (includes a 110/230 VAC to 24 VDC power supply)

Low pressure
 SF Flow-through
 1/8" 1.0 mm

OPTIONS

- 4 and 8 positions available
- 3", 4", and 6" standoffs
- Materials: Hastelloy C, Inconel 600, Monel 400, Nickel 200, Nitronic 50, Titanium (see pages 254-255)
- Larger bore available except 16 position

	6 Position		10 Position		12 Position		16 Position	
	Prod No	Price	Prod No	Price	Prod No	Price	Prod No	Price
Manual (not recommended)	2SF6MWE		2SF10MWE		2SF12MWE		2SF16MWE	
With air actuator	A2SF6MWE		A2SF10MWE		A2SF12MWE		A2SF16MWE	
With standard electric actuator	E2SF6MWE		E2SF10MWE		E2SF12MWE		E2SF16MWE	
With microelectric actuator	EMT2SF6MWE		EMT2SF10MWE		EMT2SF12MWE		EMT2SF16MWE	
Replacement valve	DSF6MWE		DSF10MWE		DSF12MWE		DSF16MWE	
Replacement rotor	SSASF6MWE		SSASF10MWE		SSASF12MWE		SSASF16MWE	

1/4" fittings, 4.0 mm ports (.156")

MW Type

SPECS
 100 psi gas
 75°C max
 Nitronic 60 body
 Valcon E2 rotor

Includes 2" standoff.
 Ask about closemount assembly if valve will not be heated.

Manual version is not available.

Standard electric actuators:
 110 VAC for USA
 110/230 VAC to 24 VDC power supply for international
 Microelectric actuators:
 24 VDC (includes a 110/230 VAC to 24 VDC power supply)

Low pressure
 SF Flow-through
 1/4" 4.0 mm

OPTIONS

- 3", 4", and 6" standoffs
- Materials: Hastelloy C, Inconel 600, Monel 400, Nickel 200, Nitronic 50, Titanium (see pages 254-255)

	4 Position		6 Position		8 Position	
	Prod No	Price	Prod No	Price	Prod No	Price
With air actuator	AH2VLSF4MWE2		AH2VLSF6MWE2		AH2VLSF8MWE2	
With std electric actuator	E2VLSF4MWE2		E2VLSF6MWE2		E2VLSF8MWE2	
With microelectric actuator	EMT2VLSF4MWE2		EMT2VLSF6MWE2		EMT2VLSF8MWE2	
Replacement valve	DVLSF4MWE2		DVLSF6MWE2		DVLSF8MWE2	
Replacement rotor	SSAVLSF4MWE2		SSAVLSF6MWE2		SSAVLSF8MWE2	

