



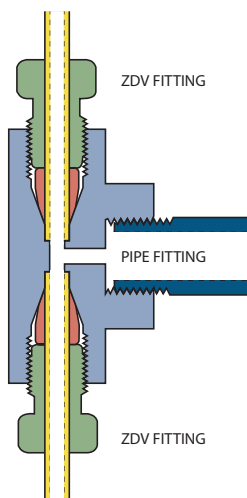
2009 #60

### Manifold pipe adapters

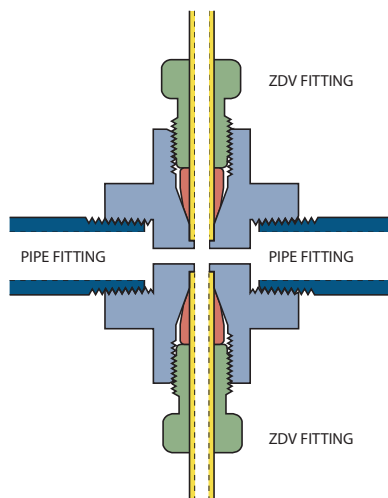
These manifolds, which go from one or two pipe fittings to three or more Valco zero dead volume fittings, minimize the number of connections between a regulator and the various carrier gas lines in a chromatographic system. The models with two pipe fittings go a step further, allowing the support of a gauge, a second regulator, or a valve leading to a separate system. Additional Valco zero dead volume fittings can be machined on a special order basis. Standard material is 300 series stainless. Also available in Hastelloy C and titanium by special order.



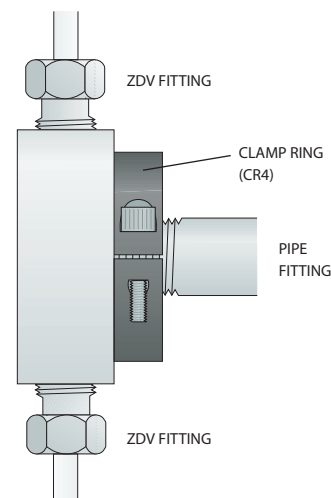
Description	Bore	Prod No	Price
One 1/8" female pipe to:			
three 1/16" ZDV fittings	1.0 mm	FP1Z3M21	
three 1/8" ZDV fittings	2.0 mm	FP1Z3M22	
three 1/4" ZDV fittings	4.6 mm	FP1Z3M24	
One 1/4" female pipe to:			
three 1/16" ZDV fittings	1.0 mm	FP1Z3M41	
three 1/8" ZDV fittings	2.0 mm	FP1Z3M42	
three 1/4" ZDV fittings	4.6 mm	FP1Z3M44	
Two 1/8" female pipe to:			
three 1/16" ZDV fittings	1.0 mm	FP2Z3M21	
three 1/8" ZDV fittings	2.0 mm	FP2Z3M22	
three 1/4" ZDV fittings	4.6 mm	FP2Z3M24	
Two 1/4" female pipe to:			
three 1/16" ZDV fittings	1.0 mm	FP2Z3M41	
three 1/8" ZDV fittings	2.0 mm	FP2Z3M42	
three 1/4" ZDV fittings	4.6 mm	FP2Z3M44	



One pipe fitting  
to Valco ZDV fittings



Two pipe fittings  
to Valco ZDV fittings



Adapter with optional  
mounting clamp ring