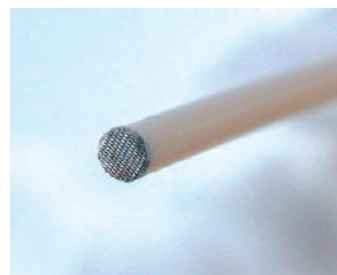


Nanovolume Column End Fittings for FS Capillaries



Nanovolume column end fittings include two liners to adapt the 1/32" fitting to fused silica. The 27 mm liner, used inside the internal nut, has a 1 µm 316 stainless steel screen embedded in the PEEK to provide closure for fused silica columns. The 10 mm liner is used with the external nut.

Like other nanovolume fittings, they include our one-piece 1/32" fingertight fittings, with a patented* collapsible ferrule. To avoid potential confusion, all fittings utilizing the Cheminert collapsible ferrule are made of black PEEK. The liners are natural PEEK.

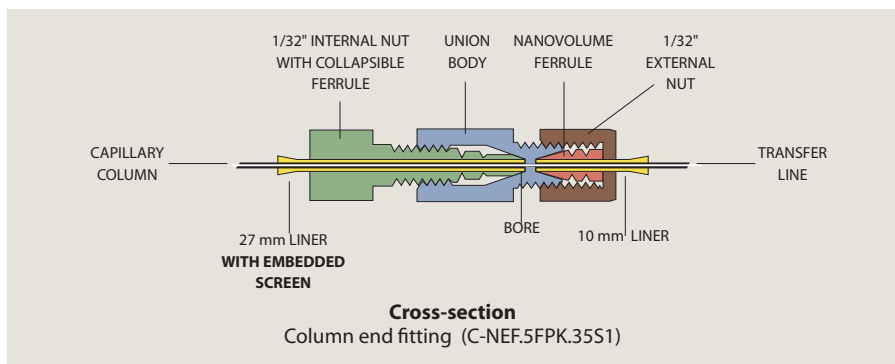


Screen embedded in end of liner for column end fittings

Column end fittings

for 1/32" tubing

Each:	For tubing OD	100 µm bore Prod No	150 µm bore Prod No
Column end fitting	125 - 175 µm	C-NEF.5XFPK.15S1	C-NEF.5FPK.15S1
for fused silica tubing	175 - 225 µm	C-NEF.5XFPK.20S1	C-NEF.5FPK.20S1
Includes liners	225 - 275 µm	C-NEF.5XFPK.25S1	C-NEF.5FPK.25S1
	275 - 325 µm	C-NEF.5XFPK.30S1	C-NEF.5FPK.30S1
	325 - 375 µm	C-NEF.5XFPK.35S1	C-NEF.5FPK.35S1




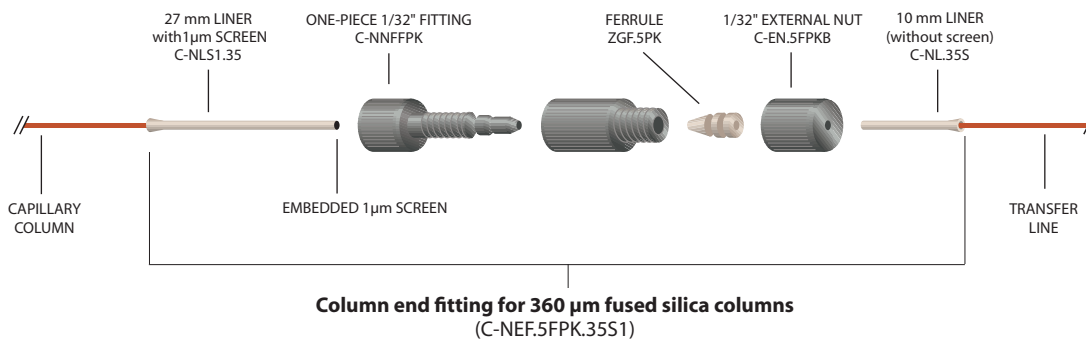
Replacement liners for column end fittings

for FS capillaries

Use these liners with nanovolume column end fittings to adapt to the most common sizes of fused silica tubing. Natural PEEK, with embedded screen to provide full closure for fused silica capillaries. Sold individually.

27 mm liners for column end fittings

	For tubing OD	Prod No
	125 - 175 µm	C-NL S1.15
	175 - 225 µm	C-NLS1.20
	225 - 275 µm	C-NLS1.25
	275 - 325 µm	C-NLS1.30
	325 - 375 µm	C-NLS1.35



*U.S. patent no. 6,575,501.

MORE INFORMATION
Liners for 1/32" fittings .. page 61

TECH TIP
Liners with embedded screens are also available for 1/16" PEEK tubing. Consult the factory for sizes and product numbers.