

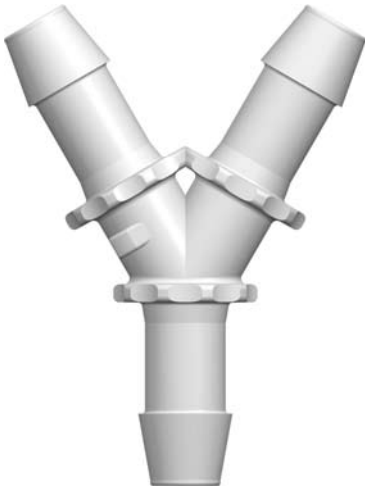
Material Suffix Key

-0 Natural Nylon
-J1A Natural Kynnar PVDF

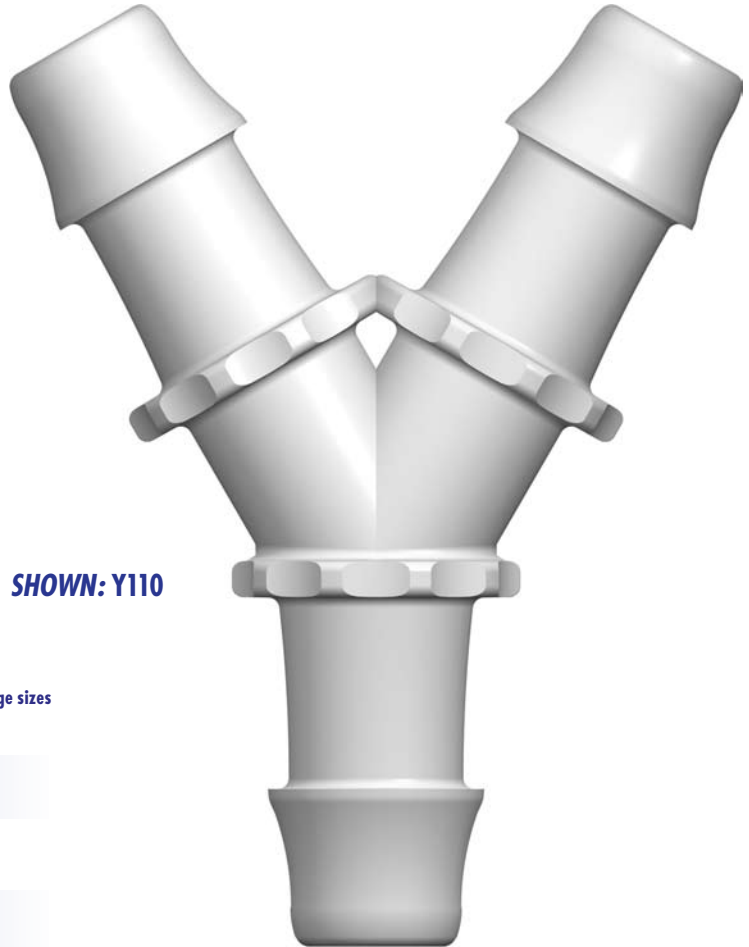
-6 Natural Polypropylene

-6005 Animal-Free Polypropylene

-9002 Radiation Stable Polycarbonate



SHOWN: Y670



SHOWN: Y110

Minimum package quantities vary by tube IDs, please verify minimum package sizes when placing orders

Y070 (-0 -6 -9)

Y Connector with 500 Series Barbs, 3/8" (9.5 mm) ID Tubing

Y670 (-6 -9)

Y Connector with 600 Series Barbs, 3/8" (9.5 mm) ID Tubing

Y080 (-0 -6 -9)

Y Connector with 500 Series Barbs, 1/2" (12.7 mm) ID Tubing

Y680 (-6 -9 -J1A)

Y Connector with 600 Series Barbs, 1/2" (12.7 mm) ID Tubing

Y090 (-0 -6 -J1A)

Y Connector with 500 Series Barbs, 5/8" (16.0 mm) ID Tubing

Y100 (-0 -6 -6005 -J1A)

Y Connector with 500 Series Barbs, 3/4" (19.0 mm) ID Tubing

Y110 (-0 -6)

Y Connector with 500 Series Barbs, 1" (25.4 mm) ID Tubing

LARGE TUBE-TO-TUBE:

Press-In Plugs

PIP070 (-0 -6)

Press-In Plug with 500 Series Barb, 3/8" (9.5 mm) ID Tubing



PIP080 (-6)

Press-In Plug with 500 Series Barb, 1/2" (12.7 mm) ID tubing



VALUE PLASTICS, INC.

CHROM *technology* +61(0)3 9762 2034
ECH *technology* Pty Ltd

Australian Distributors:
Importers & Manufacturers