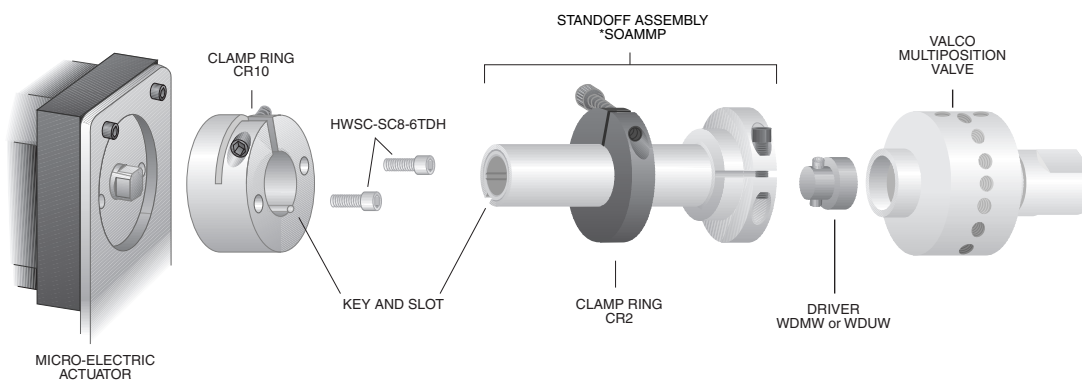


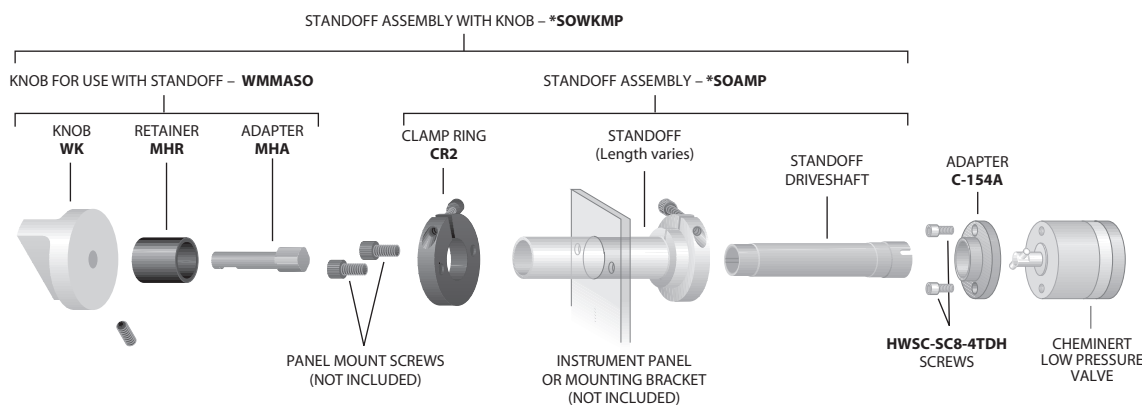
Keyed standoff with

VALCO SELECTOR – MICROELECTRIC ACTUATOR



Standoff with

CHEMINERT TWO POSITION VALVE – MANUAL



Keyed standoff with

CHEMINERT SELECTOR – MICROELECTRIC ACTUATOR

