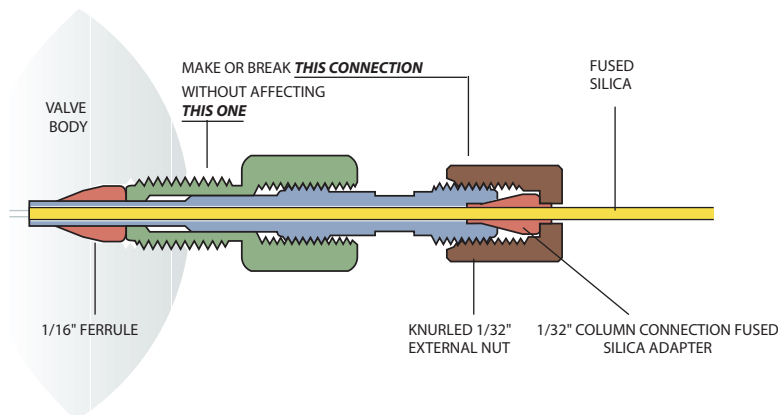


Internal to external reducer/adapters



Internal fittings provide the smallest possible fitting volume. But there are situations, such as when you're using graphite ferrules which tend to become lodged in internal details, when an external fitting might be more desirable. A typical situation of that nature is the connection of a fused silica capillary to a valve. Our unique design permits the 1/32" nut to be tightened without affecting the 1/16" connection. Order 1/32" fused silica adapter ferrules separately (see box below).

Description	Bore	Prod No	Price
1/16" to 1/32"	0.25 mm	IZERA1.5C	
	0.5 mm	IZERA1.5M	
	1.0 mm	IZERA1.5	



Internal to external FS adapter (IZERA1.5)
shown installed in a valve

MORE INFORMATION

1/32" fused silica adapter ferrules..... page 16

CAUTION

Polymeric ferrules are strongly recommended for 1/16" and 1/32" external details. Metal ferrules may distort the fitting.

1/32" FUSED SILICA FERRULES

(package of 5)

Tubing OD:

	≤ 0.25 mm	FS.25-5	\$30
0.25 mm	≤ 0.4 mm	FS.4-5	30
0.4 mm	≤ 0.5 mm	FS.5-5	30
0.5 mm	≤ 0.8 mm	ZF.5V-5	30