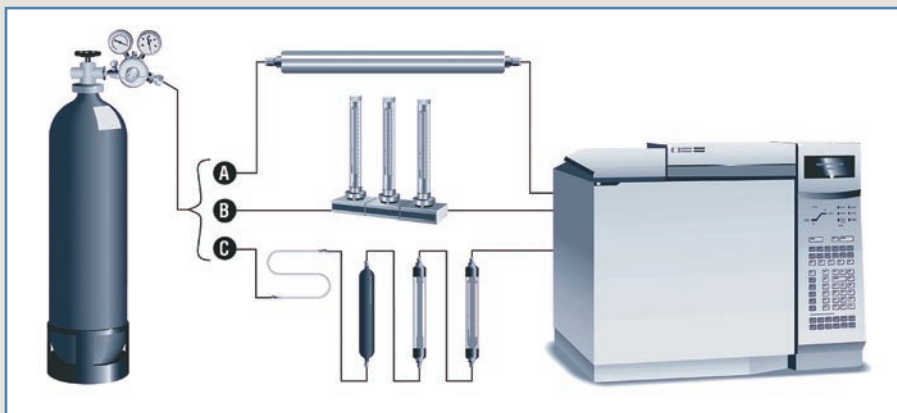


## Gas Specific Purifiers and Contaminant Traps

Every connection in your gas delivery system has the potential for leaks; the more fittings you have, the greater the potential. Using a VICI Metronics purifier or trap (A) minimizes the

number of fittings as compared to a typical manifold system (B) or contaminant trap configuration with multiple components (C).



### SPECS

22.5" long x 1.5" diameter  
(purifiers noted with \* in the charts are 12" long)  
Max inlet pressure 1000 psi (6895 kPa)  
Recommended flow 500 mL/min

### Gas Specific Purifiers

Description	1/8" fitting	1/4" fitting
Helium purifier	P100-1	P100-2
Hydrogen purifier	P200-1	P200-2
Nitrogen purifier	P300-1	P300-2
Nitrogen purifier for LC/MS apps	P310-1	P310-2
Purifier for nitrogen generators	P350-1	P350-2
Air purifier	P400-1	P400-2
Methane purifier*	P500-1	P500-2
Carbon dioxide (gas) purifier	P600-1	P600-2
Carbon dioxide (liquid) purifier	P700-1	P700-2

\*12" long

### Contaminant Traps

Description	1/8" fitting	1/4" fitting
Moisture trap	T100-1	T100-2
Hydrocarbon trap	T200-1	T200-2
Oxygen trap	T300-1	T300-2
Sulfur trap*	T400-1	T400-2
Sulfur trap	T401-1	T401-2
Mercury trap*	T700-1	T700-2



### PPB at outlet (based on 50 ppm nominal inlet concentration level)

Description	CO	CO <sub>2</sub>	O <sub>2</sub>	H <sub>2</sub> O	Sulfur compounds	Non-methane hydrocarbons
Helium purifier	<1	<1	<1	<1	<1	<3
Hydrogen purifier	<1	<1	<1	<1	<1	<3
Air purifier				<1		<3
Methane purifier	<1	<1	<1	<1	<1	<3
Nitrogen purifier	<1	<1	<1	<1	<1	<3
Nitrogen purifier for LC/MS apps				<25	<25	<25
Purifier for nitrogen generators				<25	<25	<25
Moisture trap				<1		
Hydrocarbon trap						<3
Oxygen trap			<1	<1		
Sulfur trap				<1	<1	