

Debubbler/Primer

Let's Face it: Keep LC and IC pumps primed and bubble-free with

Discover how simple priming and debubbling of your instrument really is with this new concept from Jour.

Its primary function is easy one-step priming of an HPLC pump. You simply attach a syringe (20 ml syringe included in **P/N 0001-5681**) to the I-ok fitting, turn the handle to PRIME, and pull mobile phase from the reservoir. Pushing down on the syringe plunger completes pump priming by forcing air and old mobile phase out of the pump head and replacing it with fresh solvent.

The unique design of the Primer-Debubbler inhibits return of mobile phase to the reservoir while completely flushing the pump head.

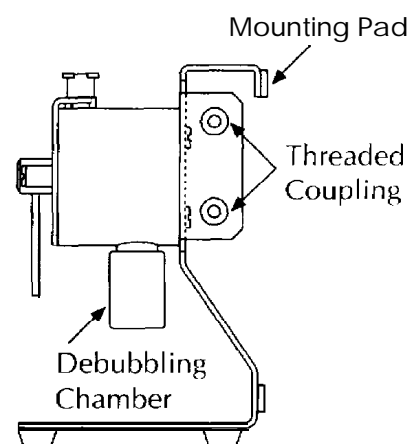
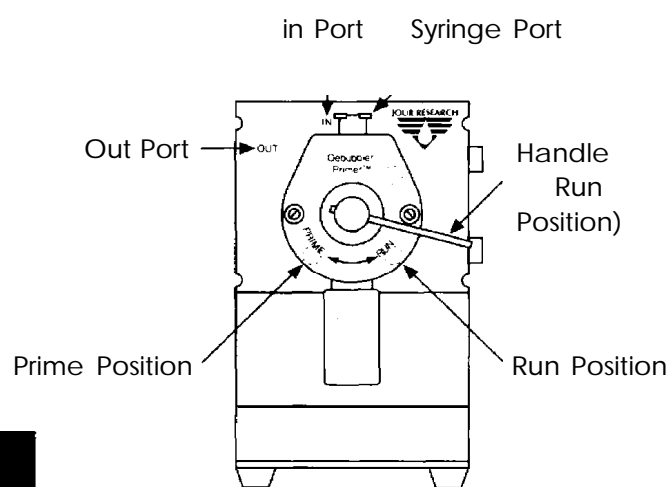
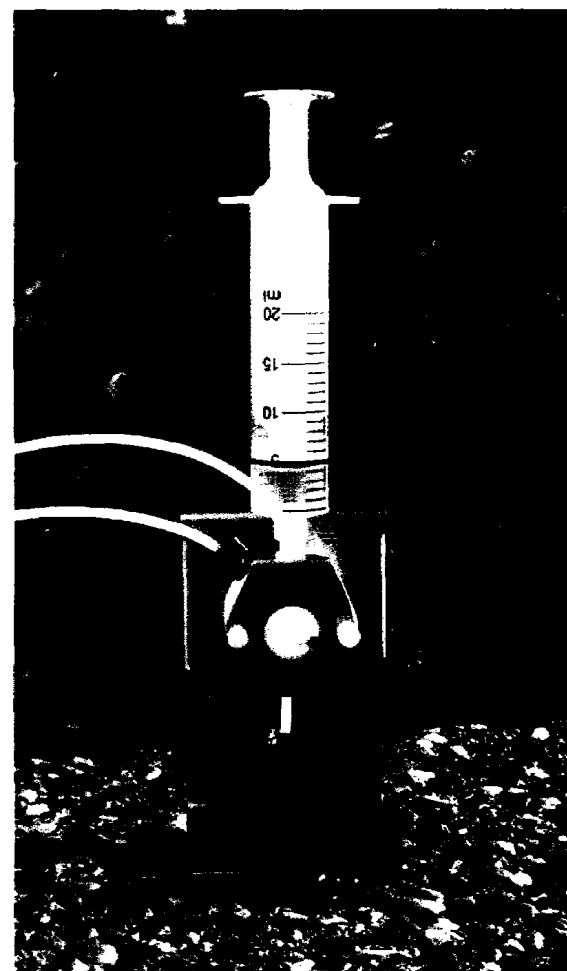
It is also a mobile phase Debubbler that traps bubbles

from the solvent stream before they can enter the pump. This continuous debubbling action prevents pump cavitation, the leading cause of flow rate inconsistencies.

The Primer-Debubbler can be easily mounted on any system* between the mobile phase reservoir and pump. Adhesive mounting pads attach it to the front or side panel of any pump or it will stand on any flat surface unmounted.

If you have a gradient system, two or more units can be coupled in series using the threaded coupling holes and screws. One unit is needed for each solvent reservoir. We offer a Metal-Free system wetted parts are Teflon, Kel-F and glass.

Not compatible with HP 1050 pump.



Debubbler/Primer™

0001-5681	Debubbler/Primer™ with 1 P/N 0001-5682, 20 mL Syringe 2 P/N 20113, PEEK Flangeless Nut 1/8" 2 P/N 051, Tefzel Ferrule 1/8" 1 m P/N 6800, Teflon Tubing OD 1/8" x ID 1,60 mm
------------------	--

Debubbler/Primer™ Spareparts

20113	PEEK Flangeless Nut 1/8"
051	Tefzel ferrule 1/8"
6800	Teflon tubing, OD 1/8" x ID 1,60mm
	20 ml Luer-Lok Syringe

Distributed by: Chromalytic Technology (Australia) Fax +61 3 9761 1169

