

# LARGE TUBE-TO-TUBE



STRAIGHT THROUGH  
PG-47



STRAIGHT THROUGH  
REDUCER  
PG-48



Y  
PG-49



PRESS-IN PLUGS  
PG-49



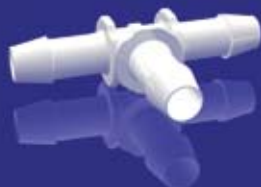
ELBOW  
PG-50



ELBOW REDUCER  
PG-50



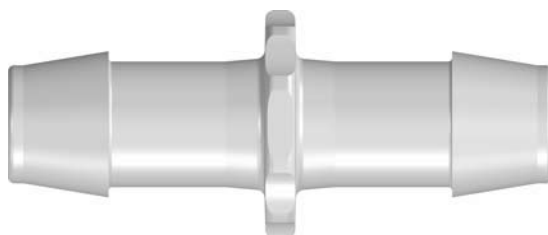
TEE  
PG-51



TEE REDUCER  
PG-51



**HROM**alytic [www.chromtech.net.au](http://www.chromtech.net.au) [sales@chromtech.net.au](mailto:sales@chromtech.net.au)  
ABN 14 643 445 058 **PTY LTD** Tel: (03) 9762 2034 Fax: +61 3 9767 1169  
Australian Distributors: **TECH**nology . . . for ALL Your chromatography supplies!



**SHOWN: N690**

Minimum package quantities vary by tube IDs, please verify minimum package sizes when placing orders

<b>N070</b>	<b>NUMBER</b>	<b>MATERIAL</b>
Straight Through Connector with 500 Series Barbs, 3/8" (9.5 mm) ID Tubing	N070-0	Natural Nylon
	N070-6	Natural Polypropylene
	N070-9	Clear Polycarbonate

<b>N670</b>	<b>NUMBER</b>	<b>MATERIAL</b>
Straight Through Connector with 600 Series Barbs, 3/8" (9.5 mm) ID Tubing	N670-6	Natural Polypropylene
	N670-9	Clear Polycarbonate

<b>N970</b>	<b>NUMBER</b>	<b>MATERIAL</b>
Straight Through Connector with 900 Series Barbs, 3/8" (9.5 mm) ID Tubing	N970-9	Clear Polycarbonate

<b>N080</b>	<b>NUMBER</b>	<b>MATERIAL</b>
Straight Through Connector with 500 Series Barbs, 1/2" (12.7 mm) ID Tubing	N080-0	Natural Nylon
	N080-6	Natural Polypropylene
	N080-9	Clear Polycarbonate

<b>N680</b>	<b>NUMBER</b>	<b>MATERIAL</b>
Straight Through Connector with 600 Series Barbs, 1/2" (12.7 mm) ID Tubing	N680-6	Natural Polypropylene
	N680-9	Clear Polycarbonate

<b>N975</b>	<b>NUMBER</b>	<b>MATERIAL</b>
Straight Through Connector with 900 Series Barbs, 1/2" (12.7 mm) ID Tubing	N975-9	Clear Polycarbonate

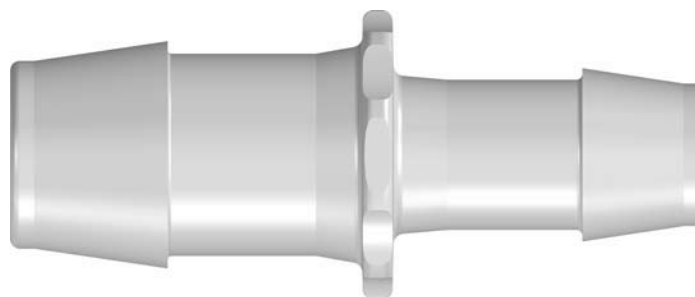
<b>N090</b>	<b>NUMBER</b>	<b>MATERIAL</b>
Straight Through Connector with 500 Series Barbs, 5/8" (16.0 mm) ID Tubing	N090-0	Natural Nylon
	N090-6	Natural Polypropylene
	N090-9	Clear Polycarbonate

<b>N690</b>	<b>NUMBER</b>	<b>MATERIAL</b>
Straight Through Connector with 600 Series Barbs, 5/8" (16.0 mm) ID Tubing	N690-0	Natural Nylon
	N690-6	Natural Polypropylene
	N690-9	Clear Polycarbonate

<b>N100</b>	<b>NUMBER</b>	<b>MATERIAL</b>
Straight Through Connector with 500 Series Barbs, 3/4" (19.0 mm) ID Tubing	N100-0	Natural Nylon
	N100-6	Natural Polypropylene

<b>N110</b>	<b>NUMBER</b>	<b>MATERIAL</b>
Straight Through Connector with 500 Series Barbs, 1" (25.4 mm) ID Tubing	N110-0	Natural Nylon
	N110-6	Natural Polypropylene

**LARGE TUBE-TO-TUBE**


**SHOWN: N6110/6100**

Minimum package quantities vary by tube IDs, please verify minimum package sizes when placing orders

N070/013	NUMBER	MATERIAL
Straight Through Reduction Connector with 500 Series Barbs, 3/8" (9.5 mm) and 1/8" (3.2 mm) ID Tubing	N070/013-0	Natural Nylon
	N070/013-6	Natural Polypropylene
	N070/013-9	Clear Polycarbonate
	N070/013-9002	Rad. Stable Polycarbonate

N670/655	NUMBER	MATERIAL
Straight Through Reduction Connector with 600 Series Barbs, 3/8" (9.5 mm) and 1/4" (6.4 mm) ID Tubing	N670/655-6	Natural Polypropylene
	N670/655-6005	Animal-Free Polypropylene
	N670/655-9	Clear Polycarbonate

N680/655	NUMBER	MATERIAL
Straight Through Reduction Connector with 600 Series Barbs, 1/2" (12.7 mm) and 1/4" (6.4 mm) ID Tubing	N680/655-6	Natural Polypropylene
	N680/655-9	Clear Polycarbonate

N680/670	NUMBER	MATERIAL
Straight Through Reduction Connector with 600 Series Barbs, 1/2" (12.7 mm) and 3/8" (9.5 mm) ID Tubing	N680/670-6	Natural Polypropylene
	N680/670-9	Clear Polycarbonate

N690/655	NUMBER	MATERIAL
Straight Through Reduction Connector with 600 Series Barbs, 5/8" (16.0 mm) and 1/4" (6.4 mm) ID Tubing	N690/655-6	Natural Polypropylene
	N690/655-9	Clear Polycarbonate

N690/670	NUMBER	MATERIAL
Straight Through Reduction Connector with 600 Series Barbs, 5/8" (16.0 mm) and 1/4" (6.4 mm) ID Tubing	N690/670-6	Natural Polypropylene
	N690/670-9	Clear Polycarbonate

N6110/6100	NUMBER	MATERIAL
Straight Through Reduction Connector with 600 Series Barbs, 1" (25.4 mm) and 3/4" (19.0 mm) ID Tubing	N6110/6100-6	Natural Polypropylene
	N6110/6100-9	Clear Polycarbonate

N070/055	NUMBER	MATERIAL
Straight Through Reduction Connector with 500 Series Barbs, 3/8" (9.5 mm) and 1/4" (6.4 mm) ID Tubing	N070/055-0	Natural Nylon
	N070/055-6	Natural Polypropylene
	N070/055-9	Clear Polycarbonate

N080/055	NUMBER	MATERIAL
Straight Through Reduction Connector with 500 Series Barbs, 1/2" (12.7 mm) and 1/4" (6.4 mm) ID Tubing	N080/055-0	Natural Nylon
	N080/055-6	Natural Polypropylene
	N080/055-9	Clear Polycarbonate

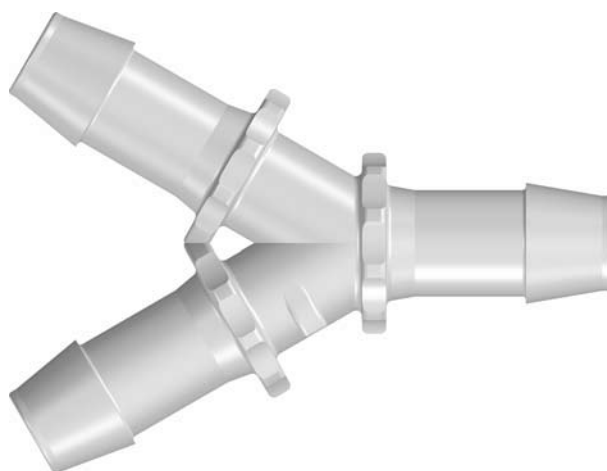
N090/055	NUMBER	MATERIAL
Straight Through Reduction Connector with 500 Series Barbs, 5/8" (16.0 mm) and 1/4" (6.4 mm) ID Tubing	N090/055-0	Natural Nylon
	N090/055-6	Natural Polypropylene

N080/070	NUMBER	MATERIAL
Straight Through Reduction Connector with 500 Series Barbs, 1/2" (12.7 mm) and 3/8" (9.5 mm) ID Tubing	N080/070-0	Natural Nylon
	N080/070-6	Natural Polypropylene
	N080/070-9	Clear Polycarbonate

N090/070	NUMBER	MATERIAL
Straight Through Reduction Connector with 500 Series Barbs, 5/8" (16.0 mm) and 3/8" (9.5 mm) ID Tubing	N090/070-0	Natural Nylon
	N090/070-6	Natural Polypropylene

N100/080	NUMBER	MATERIAL
Straight Through Reduction Connector with 500 Series Barbs, 3/4" (19.0 mm) and 1/2" (12.7 mm) ID Tubing	N100/080-0	Natural Nylon
	N100/080-6	Natural Polypropylene

N110/100	NUMBER	MATERIAL
Straight Through Reduction Connector with 500 Series Barbs, 1" (25.4 mm) and 3/4" (19.0 mm) ID Tubing	N110/100-0	Natural Nylon
	N110/100-6	Natural Polypropylene



**SHOWN: Y680**

Minimum package quantities vary by tube IDs, please verify minimum package sizes when placing orders

Y070	NUMBER	MATERIAL
Y Connector with 500 Series Barbs, 3/8" (9.5 mm) ID Tubing	Y070-0	Natural Nylon
	Y070-6	Natural Polypropylene
	Y070-9	Clear Polycarbonate

Y670	NUMBER	MATERIAL
Y Connector with 600 Series Barbs, 3/8" (9.5 mm) ID Tubing	Y670-6	Natural Polypropylene
	Y670-9	Clear Polycarbonate

Y080	NUMBER	MATERIAL
Y Connector with 500 Series Barbs, 1/2" (12.7 mm) ID Tubing	Y080-0	Natural Nylon
	Y080-6	Natural Polypropylene
	Y080-9	Clear Polycarbonate

Y680	NUMBER	MATERIAL
Y Connector with 600 Series Barbs, 1/2" (12.7 mm) ID Tubing	Y680-6	Natural Polypropylene
	Y680-9	Clear Polycarbonate

Y090	NUMBER	MATERIAL
Y Connector with 500 Series Barbs, 5/8" (16.0 mm) ID Tubing	Y090-0	Natural Nylon
	Y090-6	Natural Polypropylene
	Y090-J1A	Natural Kynar PVDF

Y100	NUMBER	MATERIAL
Y Connector with 500 Series Barbs, 3/4" (19.0 mm) ID Tubing	Y100-0	Natural Nylon
	Y100-6	Natural Polypropylene

Y110	NUMBER	MATERIAL
Y Connector with 500 Series Barbs, 1" (25.4 mm) ID Tubing	Y110-0	Natural Nylon
	Y110-6	Natural Polypropylene

**LARGE TUBE-TO-TUBE:**  
Press-In Plugs

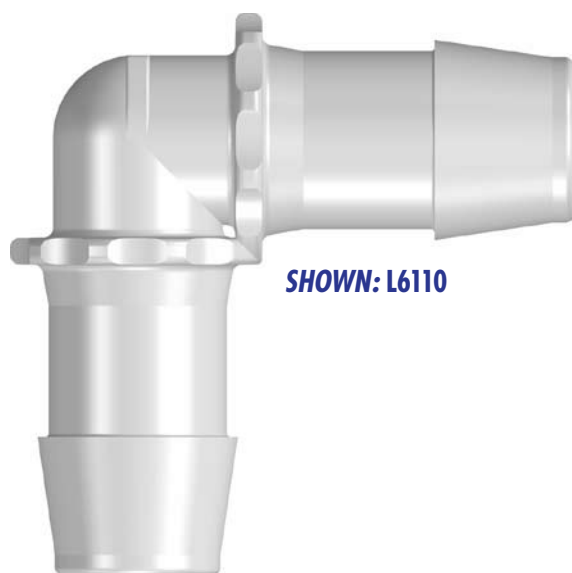
PIP070	NUMBER	MATERIAL
Press-In Plug with 500 Series Barb, 3/8" (9.5 mm) ID Tubing	PIP070-0	Natural Nylon
	PIP070-6	Natural Polypropylene



PIP080	NUMBER	MATERIAL
	PIP080-6	Natural Polypropylene



LARGE TUBE-TO-TUBE



SHOWN: L6110

Minimum package quantities vary by tube IDs, please verify minimum package sizes when placing orders

L070	NUMBER	MATERIAL
Elbow Connector with 500 Series Barbs, 3/8" (9.5 mm) ID Tubing	L070-0	Natural Nylon
	L070-6	Natural Polypropylene

L970	NUMBER	MATERIAL
Elbow Connector with 900 Series Barbs, 3/8" (9.5 mm) ID Tubing	L970-9	Clear Polycarbonate

L080	NUMBER	MATERIAL
Elbow Connector with 500 Series Barbs, 1/2" (12.7 mm) ID Tubing	L080-0	Natural Nylon
	L080-6	Natural Polypropylene

L975	NUMBER	MATERIAL
Elbow Connector with 900 Series Barbs, 1/2" (12.7 mm) ID Tubing	L975-9	Clear Polycarbonate

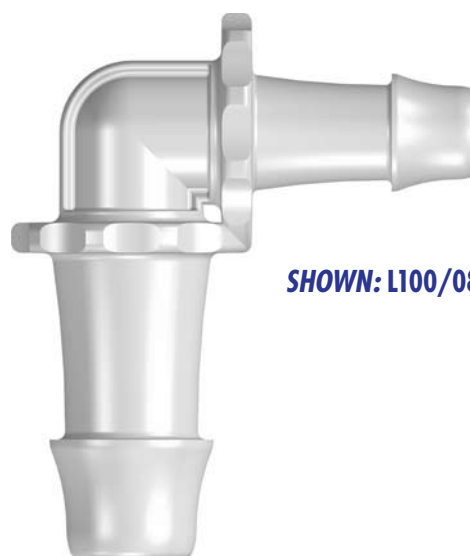
L090	NUMBER	MATERIAL
Elbow Connector with 500 Series Barbs, 5/8" (16.0 mm) ID Tubing	L090-0	Natural Nylon
	L090-6	Natural Polypropylene

L100	NUMBER	MATERIAL
Elbow Connector with 500 Series Barbs, 3/4" (19.0 mm) ID Tubing	L100-0	Natural Nylon
	L100-6	Natural Polypropylene

L110	NUMBER	MATERIAL
Elbow Connector with 500 Series Barbs, 1" (25.4 mm) ID Tubing	L110-0	Natural Nylon
	L110-6	Natural Polypropylene

L6110	NUMBER	MATERIAL
Elbow Connector with 600 Series Barbs, 1" (25.4 mm) ID Tubing	L6110-6	Natural Polypropylene

CF494	NUMBER	MATERIAL
Low-profile Elbow Connector with Custom 600 Series Barbs, 1" (25.4 mm) ID Tubing	CF494-6	Natural Polypropylene



SHOWN: L100/080

Minimum package quantities vary by tube IDs, please verify minimum package sizes when placing orders

L070/055	NUMBER	MATERIAL
Elbow Reduction Connector with 500 Series Barbs, 3/8" (9.5 mm) and 1/4" (6.4 mm) ID Tubing	L070/055-0	Natural Nylon
	L070/055-6	Natural Polypropylene

L080/070	NUMBER	MATERIAL
Elbow Reduction Connector with 500 Series Barbs, 1/2" (12.7 mm) and 3/8" (9.5 mm) ID Tubing	L080/070-0	Natural Nylon
	L080/070-6	Natural Polypropylene

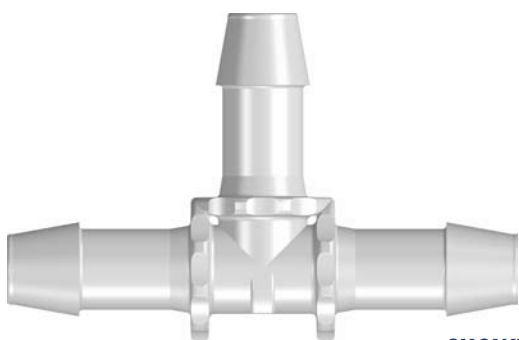
L100/080	NUMBER	MATERIAL
Elbow Reduction Connector with 500 Series Barbs, 3/4" (19.0 mm) and 1/2" (12.7 mm) ID Tubing	L100/080-0	Natural Nylon
	L100/080-6	Natural Polypropylene

L110/100	NUMBER	MATERIAL
Elbow Reduction Connector with 500 Series Barbs, 1" (25.4 mm) and 3/4" (19.0 mm) ID Tubing	L110/100-0	Natural Nylon
	L110/100-6	Natural Polypropylene



our online ordering arriving Fall 2006 for North America only, 24 hours a day, 7 days a week, with increased ordering flexibility! You can find every catalog part at [www.valueplastics.com](http://www.valueplastics.com)





**SHOWN: T670**

Minimum package quantities vary by tube IDs, please verify minimum package sizes when placing orders

T070	NUMBER	MATERIAL
Tee Connector with 500 Series Barbs, 3/8" (9.5 mm) ID Tubing	T070-0	Natural Nylon
	T070-6	Natural Polypropylene
	T070-9	Clear Polycarbonate

T670	NUMBER	MATERIAL
Tee Connector with 600 Series Barbs, 3/8" (9.5 mm) ID Tubing	T670-6	Natural Polypropylene
	T670-6005	Animal- Free Polypropylene
	T670-9	Clear Polycarbonate

T970	NUMBER	MATERIAL
Tee Connector with 900 Series Barbs, 3/8" (9.5 mm) ID Tubing	T970-9	Clear Polycarbonate

T080	NUMBER	MATERIAL
Tee Connector with 500 Series Barbs, 1/2" (12.7 mm) ID Tubing	T080-0	Natural Nylon
	T080-6	Natural Polypropylene
	T080-9	Clear Polycarbonate

T680	NUMBER	MATERIAL
Tee Connector with 600 Series Barbs, 1/2" (12.7 mm) ID Tubing	T680-6	Natural Polypropylene
	T680-9	Clear Polycarbonate

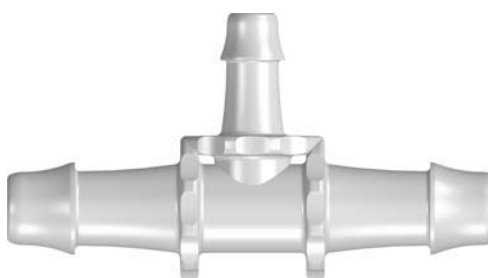
T975	NUMBER	MATERIAL
Tee Connector with 900 Series Barbs, 1/2" (12.7 mm) ID Tubing	T975-9	Clear Polycarbonate

T090	NUMBER	MATERIAL
Tee Connector with 500 Series Barbs, 5/8" (16.0 mm) ID Tubing	T090-0	Natural Nylon
	T090-6	Natural Polypropylene

T690	NUMBER	MATERIAL
Tee Connector with 600 Series Barbs, 5/8" (16.0 mm) ID Tubing	T690-6	Natural Polypropylene
	T690-9	Clear Polycarbonate

T100	NUMBER	MATERIAL
Tee Connector with 500 Series Barbs, 3/4" (19.0 mm) ID Tubing	T100-0	Natural Nylon
	T100-6	Natural Polypropylene
	T100-9	Clear Polycarbonate

T110	NUMBER	MATERIAL
Tee Connector with 500 Series Barbs, 1" (25.4 mm) ID Tubing	T110-0	Natural Nylon
	T110-6	Natural Polypropylene



**SHOWN: T070/055**

Minimum package quantities vary by tube IDs, please verify minimum package sizes when placing orders

T070/055	NUMBER	MATERIAL
Tee Reduction Connector with 500 Series Barbs, 3/8" (9.5 mm) and 1/4" (6.4 mm) ID Tubing	T070/055-0	Natural Nylon
	T070/055-6	Natural Polypropylene
	T070/055-9	Clear Polycarbonate

T080/055	NUMBER	MATERIAL
Tee Reduction Connector with 500 Series Barbs, 1/2" (12.7 mm) and 1/4" (6.4 mm) ID Tubing	T080/055-0	Natural Nylon
	T080/055-6	Natural Polypropylene
	T080/055-9	Clear Polycarbonate

T080/070	NUMBER	MATERIAL
Tee Reduction Connector with 500 Series Barbs, 1/2" (12.7 mm) and 3/8" (9.5 mm) ID Tubing	T080/070-0	Natural Nylon
	T080/070-6	Natural Polypropylene
	T080/070-9	Clear Polycarbonate

T100/080	NUMBER	MATERIAL
Tee Reduction Connector with 500 Series Barbs, 3/4" (19.0 mm) and 1/2" (12.7 mm) ID Tubing	T100/080-0	Natural Nylon
	T100/080-6	Natural Polypropylene
	T100/080-9	Clear Polycarbonate

T110/100	NUMBER	MATERIAL
Tee Reduction Connector with 500 Series Barbs, 1" (25.4 mm) and 3/4" (19.0 mm) ID Tubing	T110/100-0	Natural Nylon
	T110/100-6	Natural Polypropylene

**HRomalytic** [www.chromotech.net.au](http://www.chromotech.net.au) sales@chromotech.net.au  
 Australian Distributors: **TECH nology** Pty Ltd  
 AEM 14 643 445 058 Pty Ltd Tel: (03) 9762 2034 Fax: +61 3 9767 1769  
 ... for ALL Your chromatography supplies !