

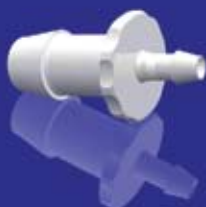
LARGE TUBE-TO-TUBE



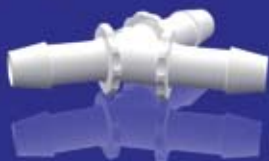
STRAIGHT THROUGH
PG-49



**STRAIGHT THROUGH
REDUCER**
PG-50



Y
PG-51



PRESS-IN PLUGS
PG-51



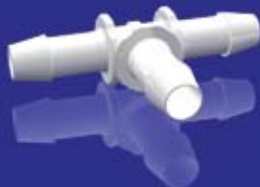
ELBOW
PG-52



ELBOW REDUCER
PG-52



TEE
PG-53



TEE REDUCER
PG-53

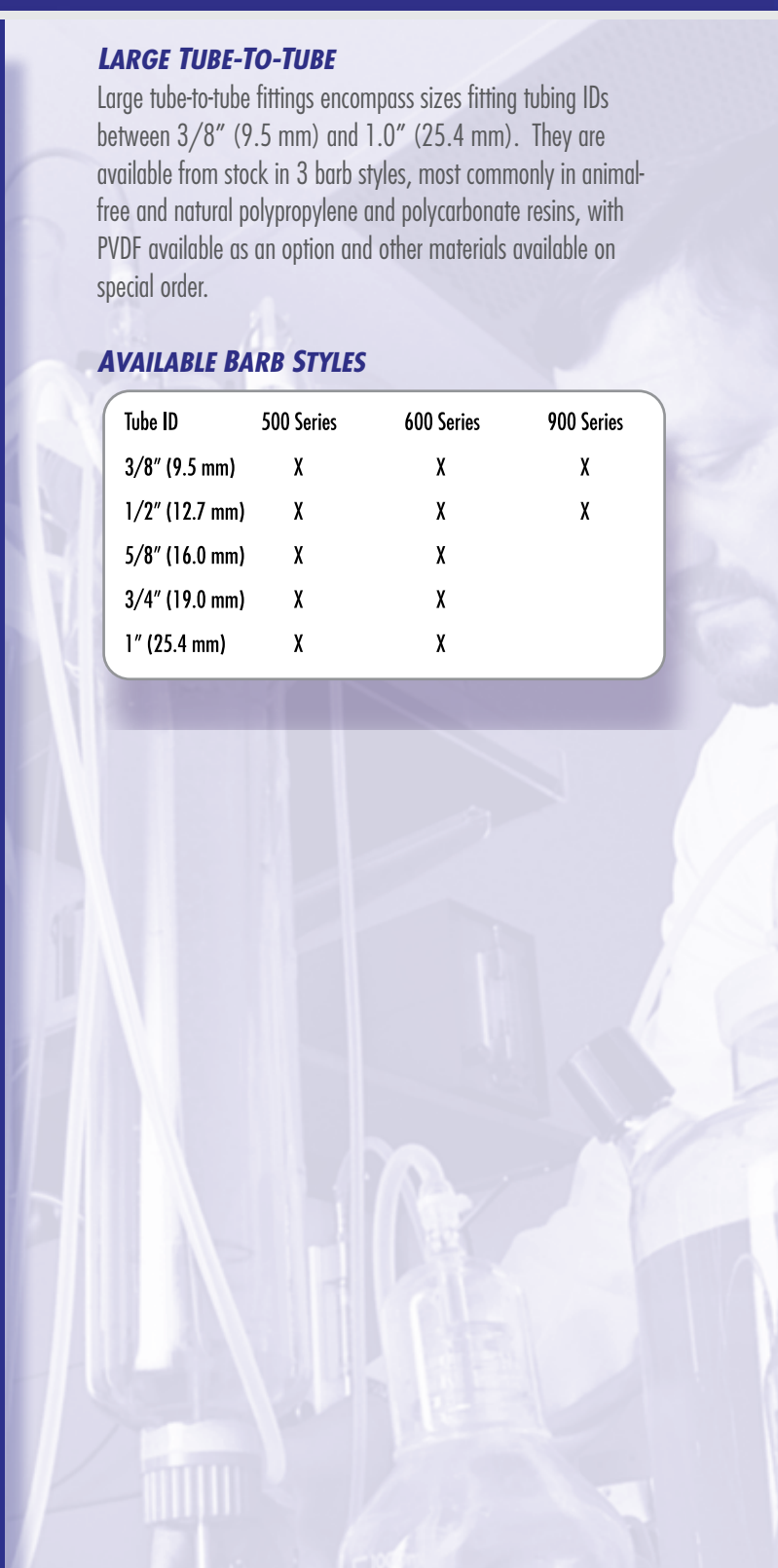


LARGE TUBE-TO-TUBE

Large tube-to-tube fittings encompass sizes fitting tubing IDs between 3/8" (9.5 mm) and 1.0" (25.4 mm). They are available from stock in 3 barb styles, most commonly in animal-free and natural polypropylene and polycarbonate resins, with PVDF available as an option and other materials available on special order.

AVAILABLE BARB STYLES

Tube ID	500 Series	600 Series	900 Series
3/8" (9.5 mm)	X	X	X
1/2" (12.7 mm)	X	X	X
5/8" (16.0 mm)	X	X	
3/4" (19.0 mm)	X	X	
1" (25.4 mm)	X	X	



LARGE TUBE-TO-TUBE: Straight Through

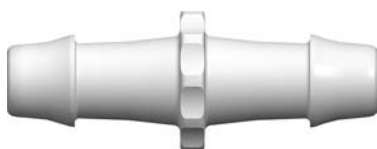
Material Suffix Key

-0 Natural Nylon
-J1A Natural Kynnar PVDF

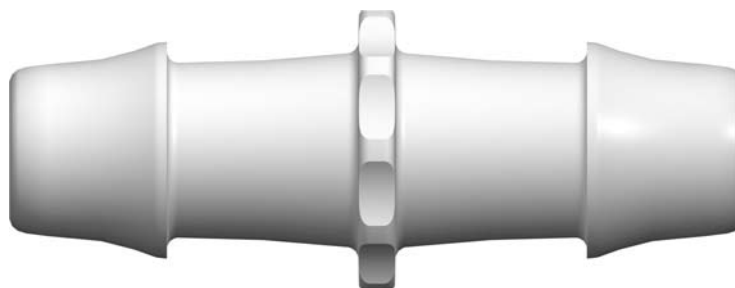
-6 Natural Polypropylene

-6005 Animal-Free Polypropylene

-9002 Radiation Stable Polycarbonate



SHOWN: N070



SHOWN: N110

Minimum package quantities vary by tube IDs, please verify minimum package sizes when placing orders

N070 (-0 -6 -9)

Straight Through Connector with 500 Series Barbs, 3/8" (9.5 mm) ID Tubing

N090 (-0 -6 -9)

Straight Through Connector with 500 Series Barbs, 5/8" (16.0 mm) ID Tubing

N670 (-6 -6005 -9 -J1A)

Straight Through Connector with 600 Series Barbs, 3/8" (9.5 mm) ID Tubing

N690 (-0 -6 -9)

Straight Through Connector with 600 Series Barbs, 5/8" (16.0 mm) ID Tubing

N970 (-9)

Straight Through Connector with 900 Series Barbs, 3/8" (9.5 mm) ID Tubing

N100 (-0 -6)

Straight Through Connector with 500 Series Barbs, 3/4" (19.0 mm) ID Tubing

N080 (-0 -6 -9)

Straight Through Connector with 500 Series Barbs, 1/2" (12.7 mm) ID Tubing

N110 (-0 -6)

Straight Through Connector with 500 Series Barbs, 1" (25.4 mm) ID Tubing

N680 (-6 -9 -J1A)

Straight Through Connector with 600 Series Barbs, 1/2" (12.7 mm) ID Tubing

N975 (-9)

Straight Through Connector with 900 Series Barbs, 1/2" (12.7 mm) ID Tubing



our online ordering for component parts, now available 24 hours a day, 7 days a week, with no \$ minimums! You can find every catalog part at:

www.valueplastics.com

(Online ordering is not available in countries served by our regional partners)

Material Suffix Key

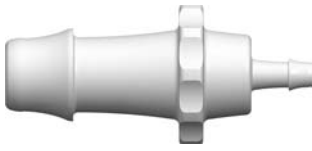
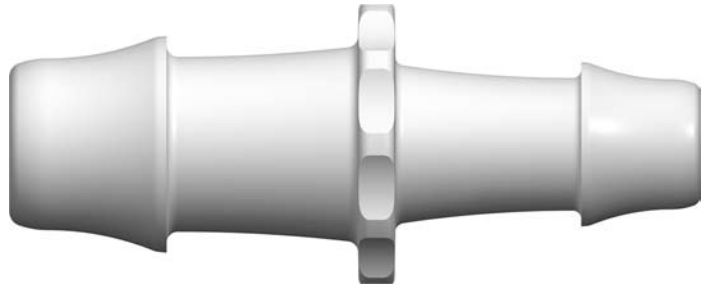
-0 Natural Nylon

-6 Natural Polypropylene

-6005 Animal-Free Polypropylene

-9002 Radiation Stable Polycarbonate

-J1A Natural Kynnar PVDF


SHOWN: N070/013

SHOWN: N110/100

Minimum package quantities vary by tube IDs, please verify minimum package sizes when placing orders

N070/013 (-0 -6 -9 -9002 -J1A)

Straight Through Reduction Connector with 500 Series Barbs, 3/8" (9.5 mm) and 1/8" (3.2 mm) ID Tubing

N070/055 (-0 -6 -9)

Straight Through Reduction Connector with 500 Series Barbs, 3/8" (9.5 mm) and 1/4" (6.4 mm) ID Tubing

N670/655 (-6 -6005 -9 -J1A)

Straight Through Reduction Connector with 600 Series Barbs, 3/8" (9.5 mm) and 1/4" (6.4 mm) ID Tubing

N080/055 (-0 -6 -9)

Straight Through Reduction Connector with 500 Series Barbs, 1/2" (12.7 mm) and 1/4" (6.4 mm) ID Tubing

N680/655 (-6 -9 -J1A)

Straight Through Reduction Connector with 600 Series Barbs, 1/2" (12.7 mm) and 1/4" (6.4 mm) ID Tubing

N090/055 (-0 -6)

Straight Through Reduction Connector with 500 Series Barbs, 5/8" (16.0 mm) and 1/4" (6.4 mm) ID Tubing

N680/670 (-6 -9)

Straight Through Reduction Connector with 600 Series Barbs, 1/2" (12.7 mm) and 3/8" (9.5 mm) ID Tubing

N080/070 (-0 -6 -9)

Straight Through Reduction Connector with 500 Series Barbs, 1/2" (12.7 mm) and 3/8" (9.5 mm) ID Tubing

N690/655 (-6 -9)

Straight Through Reduction Connector with 600 Series Barbs, 5/8" (16.0 mm) and 1/4" (6.4 mm) ID Tubing

N090/070 (-0 -6)

Straight Through Reduction Connector with 500 Series Barbs, 5/8" (16.0 mm) and 3/8" (9.5 mm) ID Tubing

N690/670 (-6 -9)

Straight Through Reduction Connector with 600 Series Barbs, 5/8" (16.0 mm) and 3/8" (9.5 mm) ID Tubing

N100/080 (-0 -6)

Straight Through Reduction Connector with 500 Series Barbs, 3/4" (19.0 mm) and 1/2" (12.7 mm) ID Tubing

N6110/6100 (-6 -9)

Straight Through Reduction Connector with 600 Series Barbs, 1" (25.4 mm) and 3/4" (19.0 mm) ID Tubing

N110/100 (-0 -6)

Straight Through Reduction Connector with 500 Series Barbs, 1" (25.4 mm) and 3/4" (19.0 mm) ID Tubing

LARGE TUBE-TO-TUBE:

Y

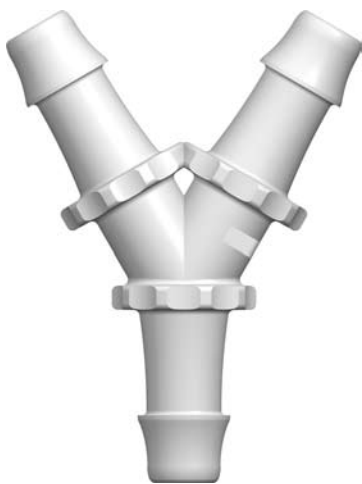
Material Suffix Key

-0 Natural Nylon
-J1A Natural Kynnar PVDF

-6 Natural Polypropylene

-6005 Animal-Free Polypropylene

-9002 Radiation Stable Polycarbonate



SHOWN: Y070



SHOWN: Y110

Minimum package quantities vary by tube IDs, please verify minimum package sizes when placing orders

Y070 (-0 -6 -9)

Y Connector with 500 Series Barbs, 3/8" (9.5 mm) ID Tubing

Y670 (-6 -9)

Y Connector with 600 Series Barbs, 3/8" (9.5 mm) ID Tubing

Y080 (-0 -6 -9)

Y Connector with 500 Series Barbs, 1/2" (12.7 mm) ID Tubing

Y680 (-6 -9)

Y Connector with 600 Series Barbs, 1/2" (12.7 mm) ID Tubing

Y090 (-0 -6 -J1A)

Y Connector with 500 Series Barbs, 5/8" (16.0 mm) ID Tubing

Y100 (-0 -6 -J1A)

Y Connector with 500 Series Barbs, 3/4" (19.0 mm) ID Tubing

Y110 (-0 -6)

Y Connector with 500 Series Barbs, 1" (25.4 mm) ID Tubing

LARGE TUBE-TO-TUBE:

Press-In Plugs

PIP070 (-0 -6)

Press-In Plug with 500 Series Barb, 3/8" (9.5 mm) ID Tubing



PIP080 (-6)

Press-In Plug with 500 Series Barb, 1/2" (12.7 mm) ID tubing



LARGE TUBE-TO-TUBE

Material Suffix Key

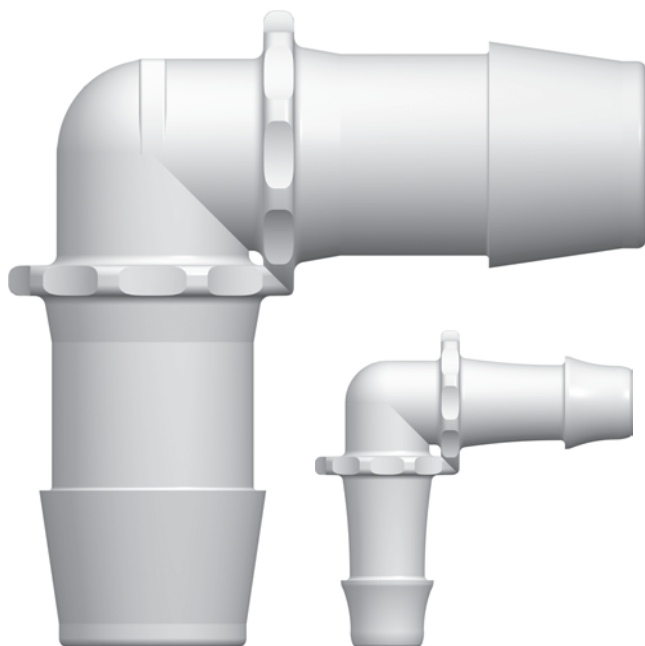
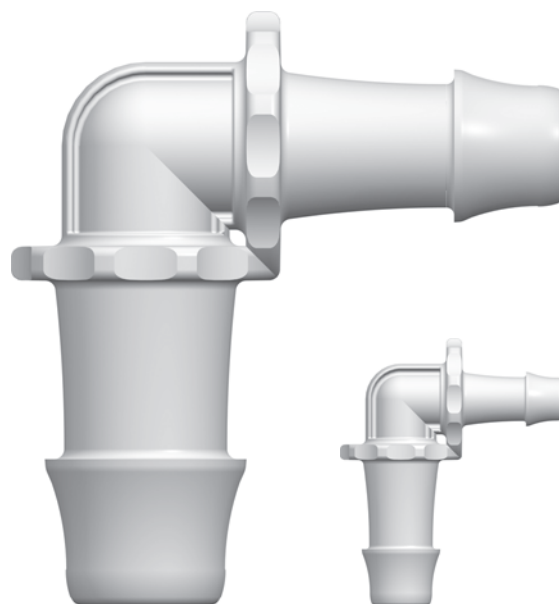
-0 Natural Nylon

-6 Natural Polypropylene

-6005 Animal-Free Polypropylene

-9002 Radiation Stable Polycarbonate

-11A Natural Kynnar PVDF


SHOWN: L6110
SHOWN: L070

SHOWN: L110/100
SHOWN: L070/055

Minimum package quantities vary by tube IDs, please verify minimum package sizes when placing orders

L070 (-0 -6)

Elbow Connector with 500 Series Barbs, 3/8" (9.5 mm) ID Tubing

L970 (-9)

Elbow Connector with 900 Series Barbs, 3/8" (9.5 mm) ID Tubing

L080 (-0 -6)

Elbow Connector with 500 Series Barbs, 1/2" (12.7 mm) ID Tubing

L975 (-9)

Elbow Connector with 900 Series Barbs, 1/2" (12.7 mm) ID Tubing

L090 (-0 -6)

Elbow Connector with 500 Series Barbs, 5/8" (16.0 mm) ID Tubing

L100 (-0 -6)

Elbow Connector with 500 Series Barbs, 3/4" (19.0 mm) ID Tubing

L110 (-0 -6)

Elbow Connector with 500 Series Barbs, 1" (25.4 mm) ID Tubing

L6110 (-6)

Elbow Connector with 600 Series Barbs, 1" (25.4 mm) ID Tubing

CF494 (-6)

Low-profile Elbow Connector with Custom 600 Series Barbs, 1" (25.4 mm) ID Tubing

Minimum package quantities vary by tube IDs, please verify minimum package sizes when placing orders

L070/055 (-0 -6)

Elbow Reduction Connector with 500 Series Barbs, 3/8" (9.5 mm) and 1/4" (6.4 mm) ID Tubing

L080/070 (-0 -6)

Elbow Reduction Connector with 500 Series Barbs, 1/2" (12.7 mm) and 3/8" (9.5 mm) ID Tubing

L100/080 (-0 -6)

Elbow Reduction Connector with 500 Series Barbs, 3/4" (19.0 mm) and 1/2" (12.7 mm) ID Tubing

L110/100 (-0 -6)

Elbow Reduction Connector with 500 Series Barbs, 1" (25.4 mm) and 3/4" (19.0 mm) ID Tubing

LINE DRAWINGS

Value Plastics provides dimensional drawings for all its fittings. For further information, visit our website at www.valueplastics.com.

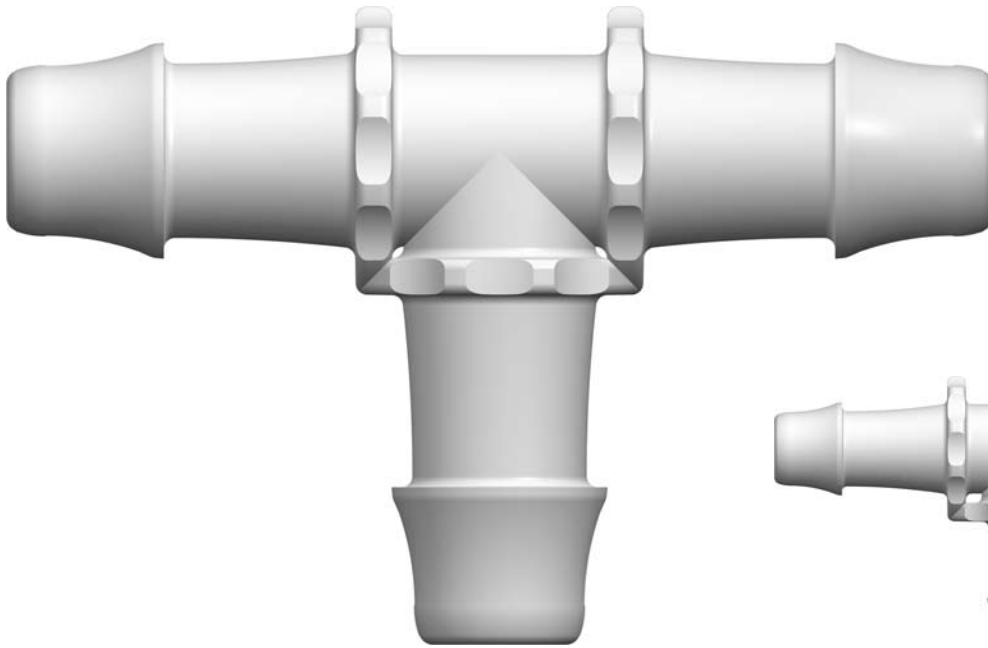
Material Suffix Key

-0 Natural Nylon
-J1A Natural Kynnar PVDF

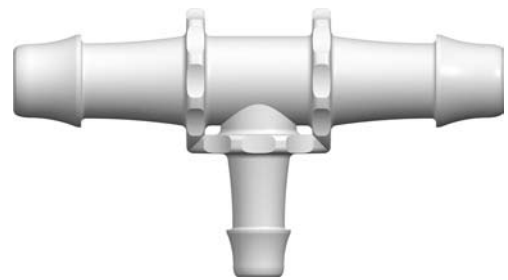
-6 Natural Polypropylene

-6005 Animal-Free Polypropylene

-9002 Radiation Stable Polycarbonate



SHOWN: T110



SHOWN: T070/055

Minimum package quantities vary by tube IDs, please verify minimum package sizes when placing orders

T070 (-0 -6 -9)

Tee Connector with 500 Series Barbs, 3/8" (9.5 mm) ID Tubing

T670 (-1 -6 -6005 -9 -J1A)

Tee Connector with 600 Series Barbs, 3/8" (9.5 mm) ID Tubing

T970 (-9)

Tee Connector with 900 Series Barbs, 3/8" (9.5 mm) ID Tubing

T080 (-0 -6 -9)

Tee Connector with 500 Series Barbs, 1/2" (12.7 mm) ID Tubing

T680 (-6 -9 -J1A)

Tee Connector with 600 Series Barbs, 1/2" (12.7 mm) ID Tubing

T975 (-9)

Tee Connector with 900 Series Barbs, 1/2" (12.7 mm) ID Tubing

T690 (-6 -9)

Tee Connector with 500 Series Barbs, 5/8" (16.0 mm) ID Tubing

T100 (-0 -6 -9)

Tee Connector with 500 Series Barbs, 3/4" (19.0 mm) ID Tubing

T110 (-0 -6)

Tee Connector with 500 Series Barbs, 1" (25.4 mm) ID Tubing

Minimum package quantities vary by tube IDs, please verify minimum package sizes when placing orders

T070/055 (-0 -6 -9)

Tee Reduction Connector with 500 Series Barbs, 3/8" (9.5 mm) and 1/4" (6.4 mm) ID Tubing

T080/055 (-0 -6 -9)

Tee Reduction Connector with 500 Series Barbs, 1/2" (12.7 mm) and 1/4" (6.4 mm) ID Tubing

T080/070 (-0 -6 -9)

Tee Reduction Connector with 500 Series Barbs, 1/2" (12.7 mm) and 3/8" (9.5 mm) ID Tubing

T100/080 (-0 -6 -9)

Tee Reduction Connector with 500 Series Barbs, 3/4" (19.0 mm) and 1/2" (12.7 mm) ID Tubing

T110/100 (-0 -6)

Tee Reduction Connector with 500 Series Barbs, 1" (25.4 mm) and 3/4" (19.0 mm) ID Tubing