

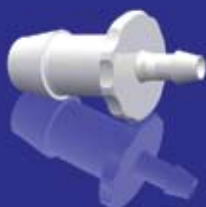
# LARGE TUBE-TO-TUBE



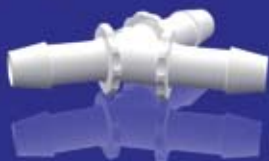
**STRAIGHT THROUGH**  
PG-49



**STRAIGHT THROUGH  
REDUCER**  
PG-50



**Y**  
PG-51



**PRESS-IN PLUGS**  
PG-51



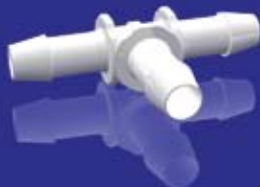
**ELBOW**  
PG-52



**ELBOW REDUCER**  
PG-52



**TEE**  
PG-53



**TEE REDUCER**  
PG-53

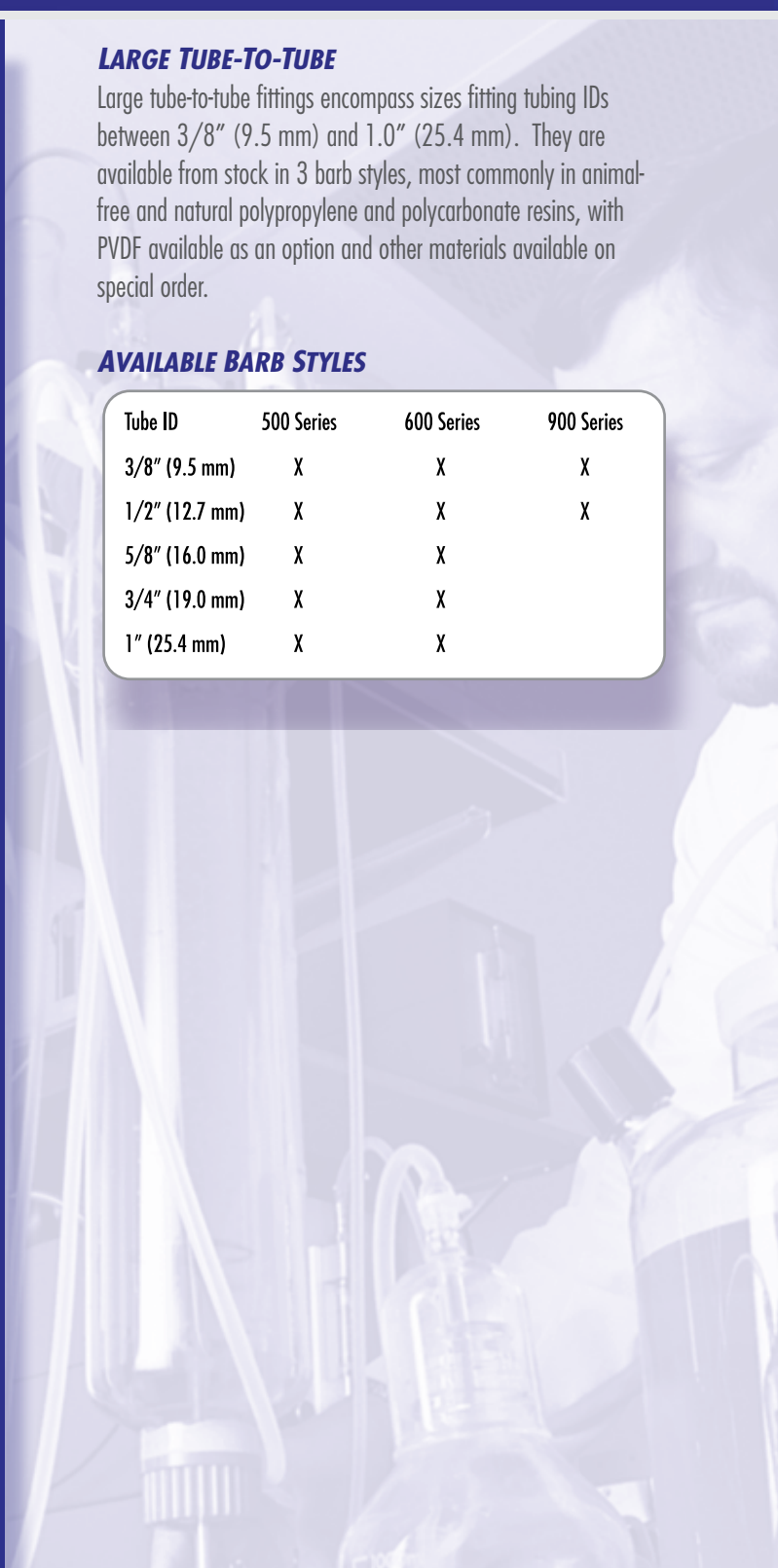


## LARGE TUBE-TO-TUBE

Large tube-to-tube fittings encompass sizes fitting tubing IDs between 3/8" (9.5 mm) and 1.0" (25.4 mm). They are available from stock in 3 barb styles, most commonly in animal-free and natural polypropylene and polycarbonate resins, with PVDF available as an option and other materials available on special order.

## AVAILABLE BARB STYLES

Tube ID	500 Series	600 Series	900 Series
3/8" (9.5 mm)	X	X	X
1/2" (12.7 mm)	X	X	X
5/8" (16.0 mm)	X	X	
3/4" (19.0 mm)	X	X	
1" (25.4 mm)	X	X	



## LARGE TUBE-TO-TUBE: Straight Through

### Material Suffix Key

-0 Natural Nylon  
-J1A Natural Kynnar PVDF

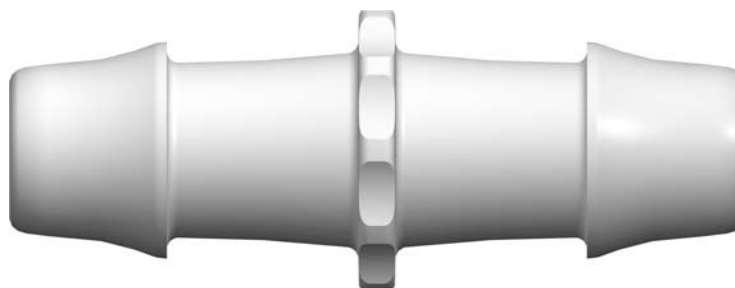
-6 Natural Polypropylene

-6005 Animal-Free Polypropylene

-9002 Radiation Stable Polycarbonate



**SHOWN: N070**



**SHOWN: N110**

Minimum package quantities vary by tube IDs, please verify minimum package sizes when placing orders

#### **N070 (-0 -6 -9)**

Straight Through Connector with 500 Series Barbs, 3/8" (9.5 mm) ID Tubing

#### **N090 (-0 -6 -9)**

Straight Through Connector with 500 Series Barbs, 5/8" (16.0 mm) ID Tubing

#### **N670 (-6 -6005 -9 -J1A)**

Straight Through Connector with 600 Series Barbs, 3/8" (9.5 mm) ID Tubing

#### **N690 (-0 -6 -9)**

Straight Through Connector with 600 Series Barbs, 5/8" (16.0 mm) ID Tubing

#### **N970 (-9)**

Straight Through Connector with 900 Series Barbs, 3/8" (9.5 mm) ID Tubing

#### **N100 (-0 -6)**

Straight Through Connector with 500 Series Barbs, 3/4" (19.0 mm) ID Tubing

#### **N080 (-0 -6 -9)**

Straight Through Connector with 500 Series Barbs, 1/2" (12.7 mm) ID Tubing

#### **N110 (-0 -6)**

Straight Through Connector with 500 Series Barbs, 1" (25.4 mm) ID Tubing

#### **N680 (-6 -9 -J1A)**

Straight Through Connector with 600 Series Barbs, 1/2" (12.7 mm) ID Tubing

#### **N975 (-9)**

Straight Through Connector with 900 Series Barbs, 1/2" (12.7 mm) ID Tubing



our online ordering for component parts, now available 24 hours a day, 7 days a week, with no \$ minimums! You can find every catalog part at:

[www.valueplastics.com](http://www.valueplastics.com)

(Online ordering is not available in countries served by our regional partners)

**Material Suffix Key**

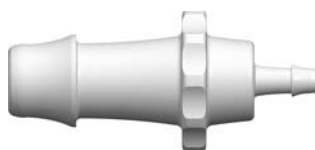
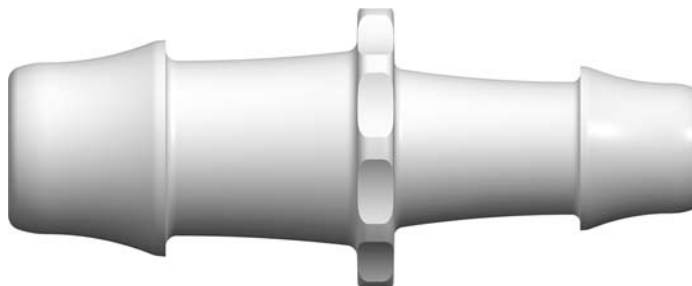
-0 Natural Nylon

-6 Natural Polypropylene

-6005 Animal-Free Polypropylene

-9002 Radiation Stable Polycarbonate

-J1A Natural Kynnar PVDF


**SHOWN: N070/013**

**SHOWN: N110/100**

Minimum package quantities vary by tube IDs, please verify minimum package sizes when placing orders

**N070/013 (-0 -6 -9 -9002 -J1A)**

Straight Through Reduction Connector with 500 Series Barbs, 3/8" (9.5 mm) and 1/8" (3.2 mm) ID Tubing

**N070/055 (-0 -6 -9)**

Straight Through Reduction Connector with 500 Series Barbs, 3/8" (9.5 mm) and 1/4" (6.4 mm) ID Tubing

**N670/655 (-6 -6005 -9 -J1A)**

Straight Through Reduction Connector with 600 Series Barbs, 3/8" (9.5 mm) and 1/4" (6.4 mm) ID Tubing

**N080/055 (-0 -6 -9)**

Straight Through Reduction Connector with 500 Series Barbs, 1/2" (12.7 mm) and 1/4" (6.4 mm) ID Tubing

**N680/655 (-6 -9 -J1A)**

Straight Through Reduction Connector with 600 Series Barbs, 1/2" (12.7 mm) and 1/4" (6.4 mm) ID Tubing

**N090/055 (-0 -6)**

Straight Through Reduction Connector with 500 Series Barbs, 5/8" (16.0 mm) and 1/4" (6.4 mm) ID Tubing

**N680/670 (-6 -9)**

Straight Through Reduction Connector with 600 Series Barbs, 1/2" (12.7 mm) and 3/8" (9.5 mm) ID Tubing

**N080/070 (-0 -6 -9)**

Straight Through Reduction Connector with 500 Series Barbs, 1/2" (12.7 mm) and 3/8" (9.5 mm) ID Tubing

**N690/655 (-6 -9)**

Straight Through Reduction Connector with 600 Series Barbs, 5/8" (16.0 mm) and 1/4" (6.4 mm) ID Tubing

**N090/070 (-0 -6)**

Straight Through Reduction Connector with 500 Series Barbs, 5/8" (16.0 mm) and 3/8" (9.5 mm) ID Tubing

**N690/670 (-6 -9)**

Straight Through Reduction Connector with 600 Series Barbs, 5/8" (16.0 mm) and 3/8" (9.5 mm) ID Tubing

**N100/080 (-0 -6)**

Straight Through Reduction Connector with 500 Series Barbs, 3/4" (19.0 mm) and 1/2" (12.7 mm) ID Tubing

**N6110/6100 (-6 -9)**

Straight Through Reduction Connector with 600 Series Barbs, 1" (25.4 mm) and 3/4" (19.0 mm) ID Tubing

**N110/100 (-0 -6)**

Straight Through Reduction Connector with 500 Series Barbs, 1" (25.4 mm) and 3/4" (19.0 mm) ID Tubing

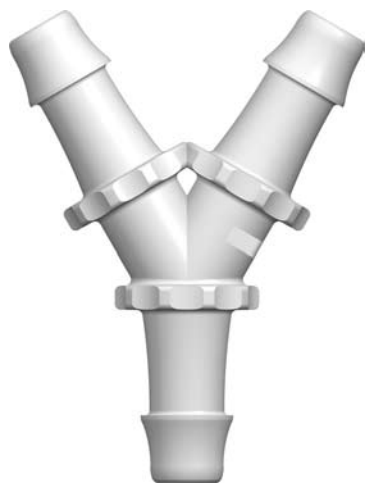
Material Suffix Key

-0 Natural Nylon  
-J1A Natural Kynnar PVDF

-6 Natural Polypropylene

-6005 Animal-Free Polypropylene

-9002 Radiation Stable Polycarbonate



SHOWN: Y070



SHOWN: Y110

Minimum package quantities vary by tube IDs, please verify minimum package sizes when placing orders

**Y070 (-0 -6 -9)**

Y Connector with 500 Series Barbs, 3/8" (9.5 mm) ID Tubing

**Y670 (-6 -9)**

Y Connector with 600 Series Barbs, 3/8" (9.5 mm) ID Tubing

**Y080 (-0 -6 -9)**

Y Connector with 500 Series Barbs, 1/2" (12.7 mm) ID Tubing

**Y680 (-6 -9)**

Y Connector with 600 Series Barbs, 1/2" (12.7 mm) ID Tubing

**Y090 (-0 -6 -J1A)**

Y Connector with 500 Series Barbs, 5/8" (16.0 mm) ID Tubing

**Y100 (-0 -6 -J1A)**

Y Connector with 500 Series Barbs, 3/4" (19.0 mm) ID Tubing

**Y110 (-0 -6)**

Y Connector with 500 Series Barbs, 1" (25.4 mm) ID Tubing

LARGE TUBE-TO-TUBE:

Press-In Plugs

**PIP070 (-0 -6)**

Press-In Plug with 500 Series Barb, 3/8" (9.5 mm) ID Tubing



**PIP080 (-6)**

Press-In Plug with 500 Series Barb, 1/2" (12.7 mm) ID tubing



LARGE TUBE-TO-TUBE

**Material Suffix Key**

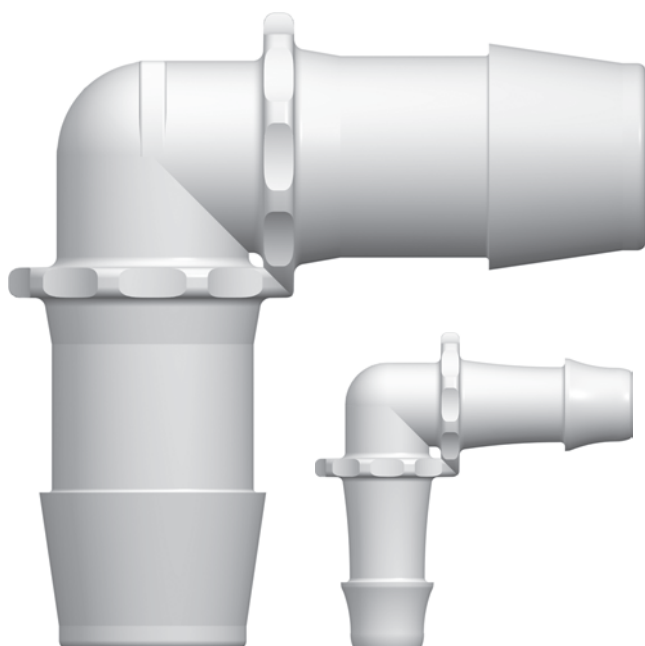
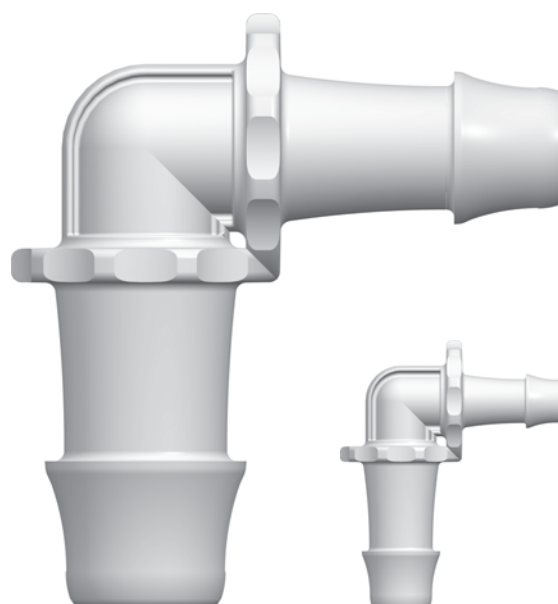
-0 Natural Nylon

-6 Natural Polypropylene

-6005 Animal-Free Polypropylene

-9002 Radiation Stable Polycarbonate

-11A Natural Kynnar PVDF


**SHOWN: L6110**
**SHOWN: L070**

**SHOWN: L110/100**
**SHOWN: L070/055**

Minimum package quantities vary by tube IDs, please verify minimum package sizes when placing orders

**L070 (-0 -6)**

Elbow Connector with 500 Series Barbs, 3/8" (9.5 mm) ID Tubing

**L970 (-9)**

Elbow Connector with 900 Series Barbs, 3/8" (9.5 mm) ID Tubing

**L080 (-0 -6)**

Elbow Connector with 500 Series Barbs, 1/2" (12.7 mm) ID Tubing

**L975 (-9)**

Elbow Connector with 900 Series Barbs, 1/2" (12.7 mm) ID Tubing

**L090 (-0 -6)**

Elbow Connector with 500 Series Barbs, 5/8" (16.0 mm) ID Tubing

**L100 (-0 -6)**

Elbow Connector with 500 Series Barbs, 3/4" (19.0 mm) ID Tubing

**L110 (-0 -6)**

Elbow Connector with 500 Series Barbs, 1" (25.4 mm) ID Tubing

**L6110 (-6)**

Elbow Connector with 600 Series Barbs, 1" (25.4 mm) ID Tubing

**CF494 (-6)**

Low-profile Elbow Connector with Custom 600 Series Barbs, 1" (25.4 mm) ID Tubing

Minimum package quantities vary by tube IDs, please verify minimum package sizes when placing orders

**L070/055 (-0 -6)**

Elbow Reduction Connector with 500 Series Barbs, 3/8" (9.5 mm) and 1/4" (6.4 mm) ID Tubing

**L080/070 (-0 -6)**

Elbow Reduction Connector with 500 Series Barbs, 1/2" (12.7 mm) and 3/8" (9.5 mm) ID Tubing

**L100/080 (-0 -6)**

Elbow Reduction Connector with 500 Series Barbs, 3/4" (19.0 mm) and 1/2" (12.7 mm) ID Tubing

**L110/100 (-0 -6)**

Elbow Reduction Connector with 500 Series Barbs, 1" (25.4 mm) and 3/4" (19.0 mm) ID Tubing

**LINE DRAWINGS**

Value Plastics provides dimensional drawings for all its fittings. For further information, visit our website at [www.valueplastics.com](http://www.valueplastics.com).

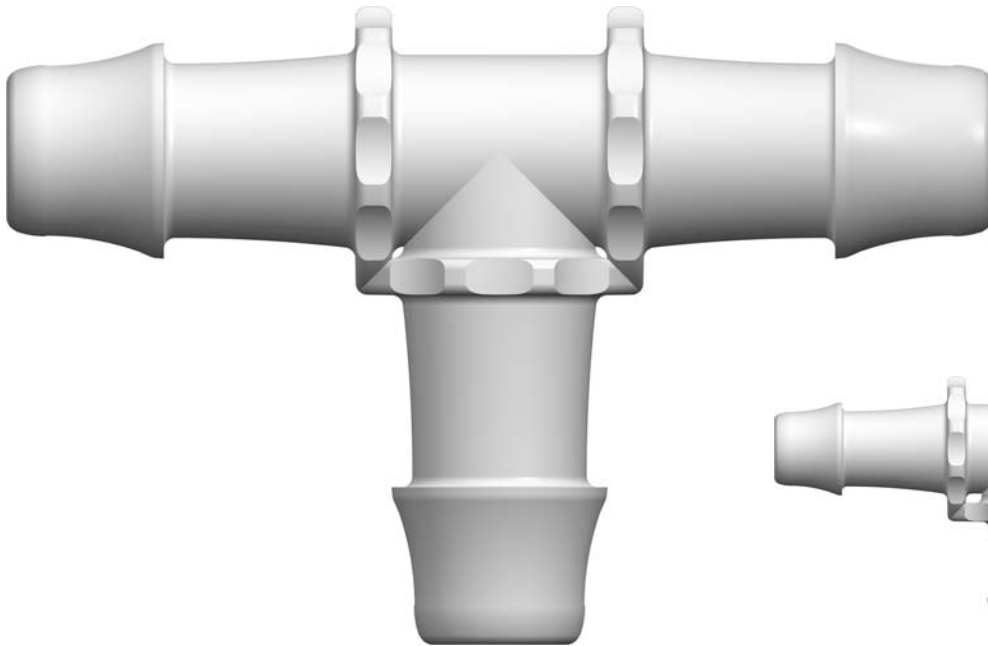
**Material Suffix Key**

-0 Natural Nylon  
-J1A Natural Kynnar PVDF

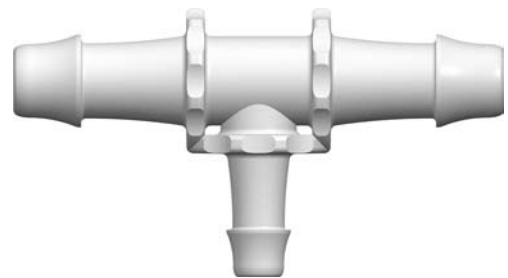
-6 Natural Polypropylene

-6005 Animal-Free Polypropylene

-9002 Radiation Stable Polycarbonate



**SHOWN: T110**



**SHOWN: T070/055**

Minimum package quantities vary by tube IDs, please verify minimum package sizes when placing orders

**T070 (-0 -6 -9)**

Tee Connector with 500 Series Barbs, 3/8" (9.5 mm) ID Tubing

**T670 (-1 -6 -6005 -9 -J1A)**

Tee Connector with 600 Series Barbs, 3/8" (9.5 mm) ID Tubing

**T970 (-9)**

Tee Connector with 900 Series Barbs, 3/8" (9.5 mm) ID Tubing

**T080 (-0 -6 -9)**

Tee Connector with 500 Series Barbs, 1/2" (12.7 mm) ID Tubing

**T680 (-6 -9 -J1A)**

Tee Connector with 600 Series Barbs, 1/2" (12.7 mm) ID Tubing

**T975 (-9)**

Tee Connector with 900 Series Barbs, 1/2" (12.7 mm) ID Tubing

**T690 (-6 -9)**

Tee Connector with 500 Series Barbs, 5/8" (16.0 mm) ID Tubing

**T100 (-0 -6 -9)**

Tee Connector with 500 Series Barbs, 3/4" (19.0 mm) ID Tubing

**T110 (-0 -6)**

Tee Connector with 500 Series Barbs, 1" (25.4 mm) ID Tubing

Minimum package quantities vary by tube IDs, please verify minimum package sizes when placing orders

**T070/055 (-0 -6 -9)**

Tee Reduction Connector with 500 Series Barbs, 3/8" (9.5 mm) and 1/4" (6.4 mm) ID Tubing

**T080/055 (-0 -6 -9)**

Tee Reduction Connector with 500 Series Barbs, 1/2" (12.7 mm) and 1/4" (6.4 mm) ID Tubing

**T080/070 (-0 -6 -9)**

Tee Reduction Connector with 500 Series Barbs, 1/2" (12.7 mm) and 3/8" (9.5 mm) ID Tubing

**T100/080 (-0 -6 -9)**

Tee Reduction Connector with 500 Series Barbs, 3/4" (19.0 mm) and 1/2" (12.7 mm) ID Tubing

**T110/100 (-0 -6)**

Tee Reduction Connector with 500 Series Barbs, 1" (25.4 mm) and 3/4" (19.0 mm) ID Tubing