

Material Suffix Key

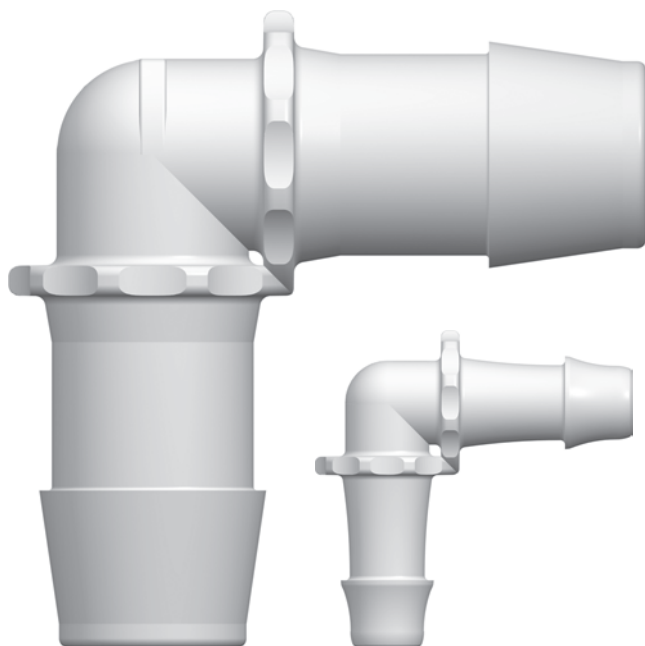
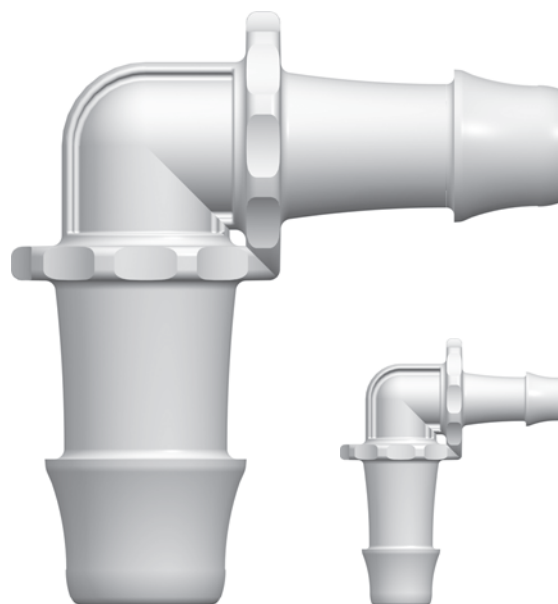
-0 Natural Nylon

-6 Natural Polypropylene

-6005 Animal-Free Polypropylene

-9002 Radiation Stable Polycarbonate

-11A Natural Kynnar PVDF


SHOWN: L6110
SHOWN: L070

SHOWN: L110/100
SHOWN: L070/055

Minimum package quantities vary by tube IDs, please verify minimum package sizes when placing orders

L070 (-0 -6)

Elbow Connector with 500 Series Barbs, 3/8" (9.5 mm) ID Tubing

L970 (-9)

Elbow Connector with 900 Series Barbs, 3/8" (9.5 mm) ID Tubing

L080 (-0 -6)

Elbow Connector with 500 Series Barbs, 1/2" (12.7 mm) ID Tubing

L975 (-9)

Elbow Connector with 900 Series Barbs, 1/2" (12.7 mm) ID Tubing

L090 (-0 -6)

Elbow Connector with 500 Series Barbs, 5/8" (16.0 mm) ID Tubing

L100 (-0 -6)

Elbow Connector with 500 Series Barbs, 3/4" (19.0 mm) ID Tubing

L110 (-0 -6)

Elbow Connector with 500 Series Barbs, 1" (25.4 mm) ID Tubing

L6110 (-6)

Elbow Connector with 600 Series Barbs, 1" (25.4 mm) ID Tubing

CF494 (-6)

Low-profile Elbow Connector with Custom 600 Series Barbs, 1" (25.4 mm) ID Tubing

Minimum package quantities vary by tube IDs, please verify minimum package sizes when placing orders

L070/055 (-0 -6)

Elbow Reduction Connector with 500 Series Barbs, 3/8" (9.5 mm) and 1/4" (6.4 mm) ID Tubing

L080/070 (-0 -6)

Elbow Reduction Connector with 500 Series Barbs, 1/2" (12.7 mm) and 3/8" (9.5 mm) ID Tubing

L100/080 (-0 -6)

Elbow Reduction Connector with 500 Series Barbs, 3/4" (19.0 mm) and 1/2" (12.7 mm) ID Tubing

L110/100 (-0 -6)

Elbow Reduction Connector with 500 Series Barbs, 1" (25.4 mm) and 3/4" (19.0 mm) ID Tubing

LINE DRAWINGS

Value Plastics provides dimensional drawings for all its fittings. For further information, visit our website at www.valueplastics.com.

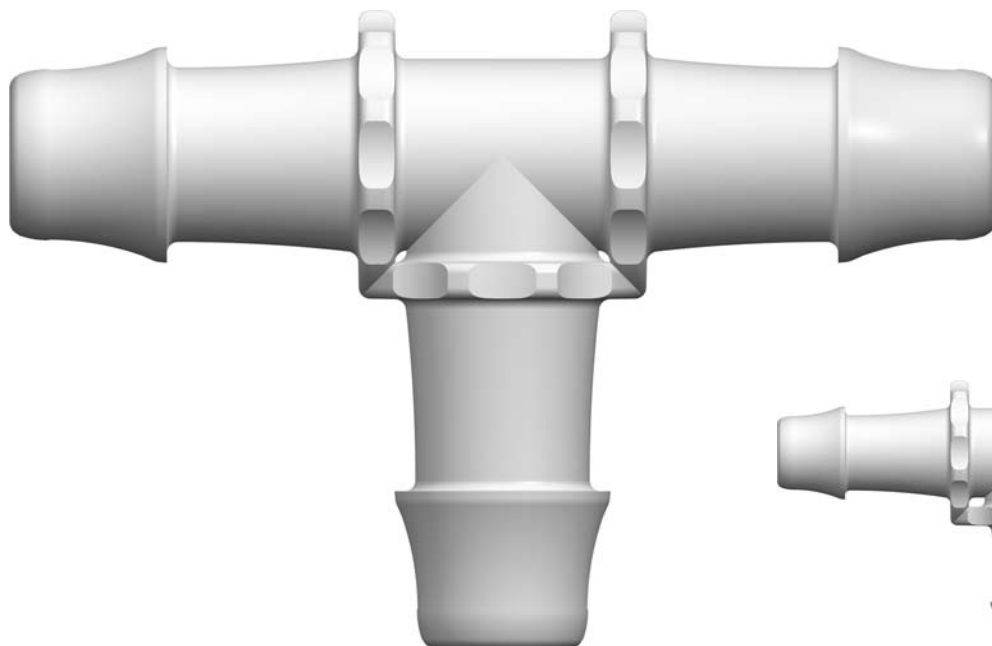
Material Suffix Key

-0 Natural Nylon
-J1A Natural Kynnar PVDF

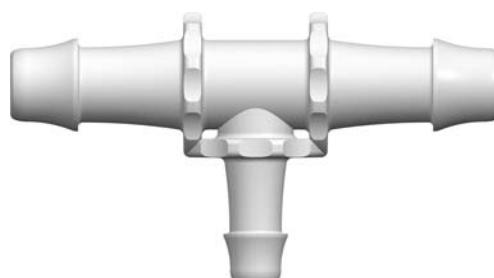
-6 Natural Polypropylene

-6005 Animal-Free Polypropylene

-9002 Radiation Stable Polycarbonate



SHOWN: T110



SHOWN: T070/055

Minimum package quantities vary by tube IDs, please verify minimum package sizes when placing orders

T070 (-0 -6 -9)

Tee Connector with 500 Series Barbs, 3/8" (9.5 mm) ID Tubing

T670 (-1 -6 -6005 -9 -J1A)

Tee Connector with 600 Series Barbs, 3/8" (9.5 mm) ID Tubing

T970 (-9)

Tee Connector with 900 Series Barbs, 3/8" (9.5 mm) ID Tubing

T080 (-0 -6 -9)

Tee Connector with 500 Series Barbs, 1/2" (12.7 mm) ID Tubing

T680 (-6 -9 -J1A)

Tee Connector with 600 Series Barbs, 1/2" (12.7 mm) ID Tubing

T975 (-9)

Tee Connector with 900 Series Barbs, 1/2" (12.7 mm) ID Tubing

T690 (-6 -9)

Tee Connector with 500 Series Barbs, 5/8" (16.0 mm) ID Tubing

T100 (-0 -6 -9)

Tee Connector with 500 Series Barbs, 3/4" (19.0 mm) ID Tubing

T110 (-0 -6)

Tee Connector with 500 Series Barbs, 1" (25.4 mm) ID Tubing

Minimum package quantities vary by tube IDs, please verify minimum package sizes when placing orders

T070/055 (-0 -6 -9)

Tee Reduction Connector with 500 Series Barbs, 3/8" (9.5 mm) and 1/4" (6.4 mm) ID Tubing

T080/055 (-0 -6 -9)

Tee Reduction Connector with 500 Series Barbs, 1/2" (12.7 mm) and 1/4" (6.4 mm) ID Tubing

T080/070 (-0 -6 -9)

Tee Reduction Connector with 500 Series Barbs, 1/2" (12.7 mm) and 3/8" (9.5 mm) ID Tubing

T100/080 (-0 -6 -9)

Tee Reduction Connector with 500 Series Barbs, 3/4" (19.0 mm) and 1/2" (12.7 mm) ID Tubing

T110/100 (-0 -6)

Tee Reduction Connector with 500 Series Barbs, 1" (25.4 mm) and 3/4" (19.0 mm) ID Tubing